

PARTS CATALOGUE

TZ125(4JT7)

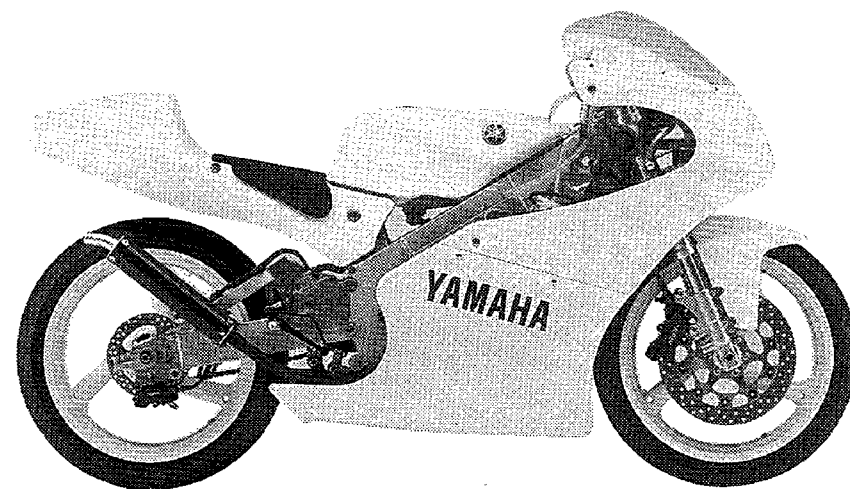
'99.11 発行

YAMAHA
GENUINE
Parts & Accessories

104JT-010E1

4JT-28198-10-E1





A3

ま え が き

このパーツカタログは、ヤマハTZ125(4JT7)に使用されている補修用販売部品が記載されています。

部品を御注文の際は、本パーツカタログを御参照の上、部品番号、部品名、数量を正確に御指示下さい。

1. 部品の新設、廃止または変更が生じた場合は、部品ニュースにてお知らせ致しますので、お手許のパーツカタログを御訂正下さい。
2. アセンブリでの販売部品は、その構成する部品名の頭に(・)印をつけて一文字下げた状態にて表わしてあります。
3. アセンブリでの販売部品使用個数は、アセンブリ単体に含まれる使用個数を表示してあります。

(例)

部品番号	部品名	使用個数
4J2-83310-00	フロントフラッシュランプアセンブリ	2
3L5-83312-00	・レンズ、フラッシュ	1
185-83311-10	・バルブ(6V-8W)	1

4. 本文中に記載されています省略記号は次の様になっています。

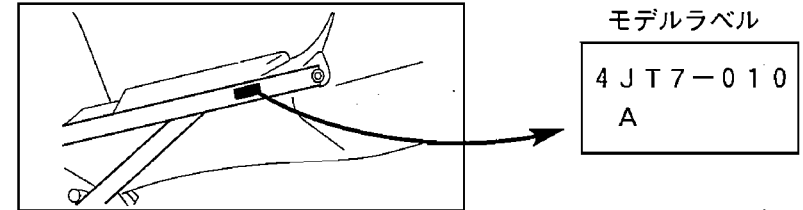
STD	スタンダード
UR	選択
UN	必要数
AP	別売品
O/S	オーバーサイズ
LM	現地調達部品

5. フューエルタンク グラフィック及びエンブレムが複数にて使用されている場合は、摘要欄に該当仕様色名が記載されています。

(例)

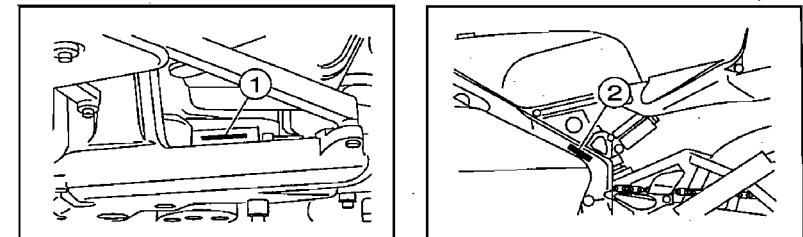
部品番号	部品名	使用個数	摘要
3FY-24110-00-01	フューエルタンクコンプリート	1	URソフィアイエロー
3FY-24110-00-02	フューエルタンクコンプリート	1	URホワイト
3FY-24240-00	・グラフィックセット	1	URソフィアイエロー・ヨウ
3FY-24240-10	・グラフィックセット	1	URホワイト・ヨウ
3FY-24161-00	・エンブレム 1	2	

6. 本モデルには、モデルラベルが貼り付けられております。尚、モデルラベルには登録型式、製品連番及びカラータイプが記載されています。



7. 本モデルの打刻仕様、塗色部品の使用は、次の様になっています。

①エンジン型式	E110E	②フレーム打刻型式	CE06C
---------	-------	-----------	-------



カラータイプ	色番号	色名	省略記号
A	0036	ホワイト	W

8. 本モデルのサービス資料の部品番号は、下記の通りです。

資料名	部品番号
オーナーズサービスマニュアル	4JT-28199-06

CONTENTS

ENGINE

CYLINDER HEAD	B2
CRANKSHAFT. PISTON	B3
COUNTER SHAFT	B4
WATER PUMP	B5
RADIATOR. HOSE	B6
OIL PUMP	B7
INTAKE	B8
CARBURETOR	B9
EXHAUST	B12
CRANKCASE	B13
CLUTCH	B15
TRANSMISSION	C3
SHIFT CAM. FORK	C5
SHIFT SHAFT	C6

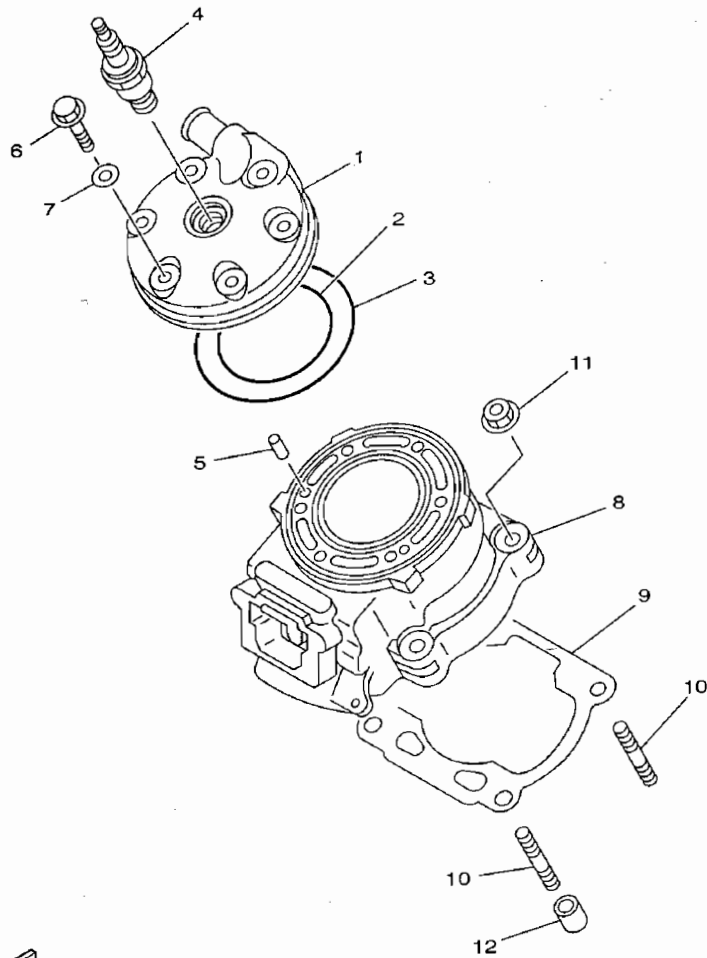
CHASSIS

FRAME	C7
REAR ARM	C9
REAR SUSPENSION	C10
STEERING	C11
FRONT FORK	C12
FUEL TANK	C14
SEAT	D2
FRONT WHEEL	D3
FRONT BRAKE CALIPER	D4
REAR WHEEL	D5
REAR BRAKE CALIPER	D7
STEERING HANDLE. CABLE	D8
FRONT MASTER CYLINDER	D9
STAND. FOOTREST	D10
COWLING 1	D12
GENERATOR	D13

METER	D14
HANDLE SWITCH. LEVER	D15
ELECTRICAL 1	E2

INDEX

NUMERICAL INDEX	M1
-----------------------	----

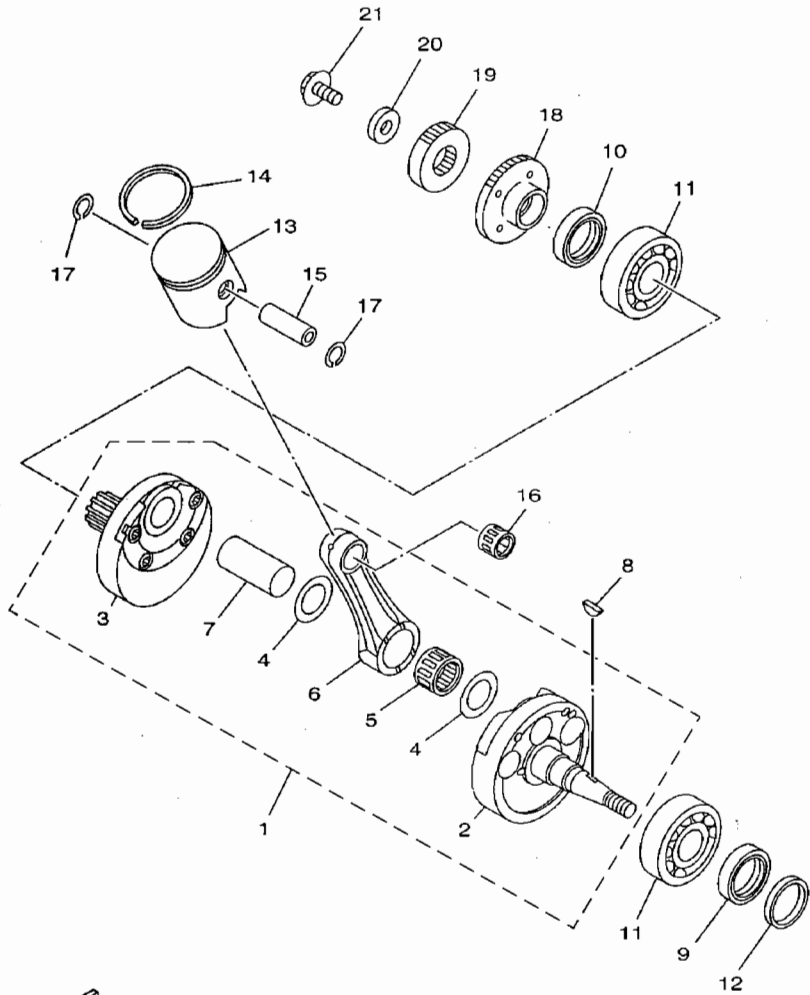


4JT5100-8010

FIG. 1 CYLINDER HEAD

REF. NO.	PART NO.	DESCRIPTION	USA	EUR	OC	JPN	REMARKS
1	4JT-11111-30	HEAD, CYLINDER 1	1	1	1	1	
2	93210-63442	O-RING	1	1	1	1	
3	93210-88696	O-RING	1	1	1	1	
4	94702-00373	PLUG, SPARK (R6385-105P)	1	1	1		NGK
	94709-00373	PLUG, SPARK (R6385-105P)				1	NGK
5	93604-08071	PIN, DOWEL	2	2	2	2	
6	90105-063A0	BOLT, WASHER BASED	6	6	6	6	
7	90430-06166	GASKET	6	6	6	6	
8	4JT-11311-30	CYLINDER 1	1	1	1	1	
9	4JT-11351-02	GASKET, CYLINDER (0.8T)	1	1	1	1	STD
	4JT-11351-12	GASKET, CYLINDER (0.7T)	1	1	1	1	UR
	4JT-11351-22	GASKET, CYLINDER (0.6T)	1	1	1	1	UR
10	90116-08409	BOLT, STUD	4	4	4	4	
11	95707-08500	NUT, FLANGE	4	4	4	4	
12	99510-10114	PIN, DOWEL	2	2	2	2	

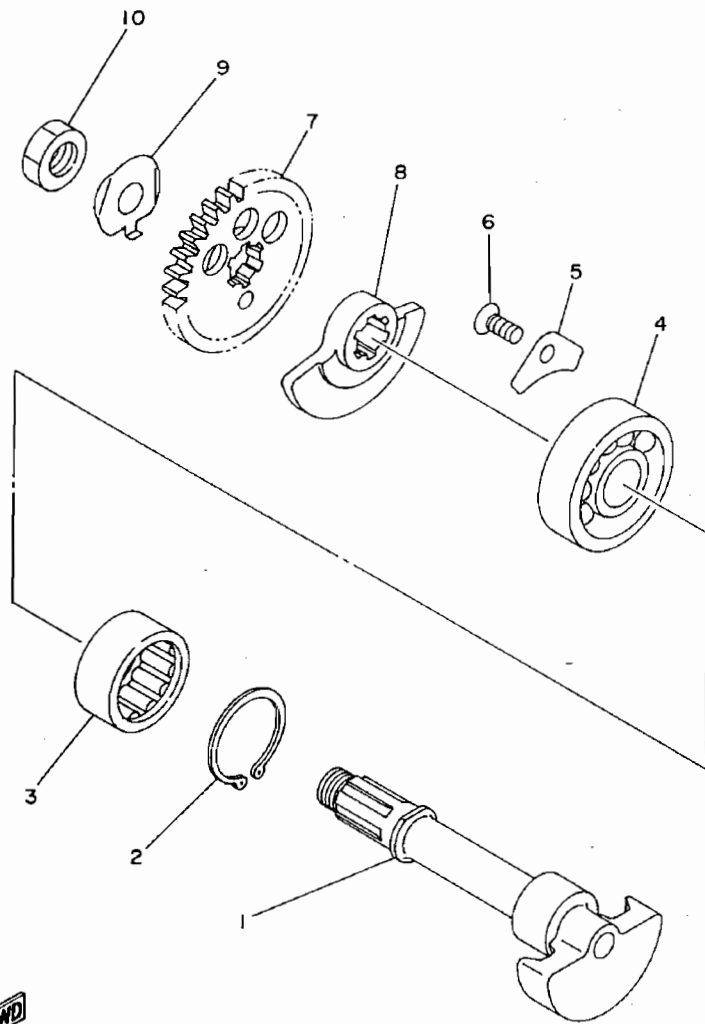
FIG. 2 CRANKSHAFT. PISTON



REF. NO.	PART NO.	DESCRIPTION	USA	EUR	OCE	JPN	REMARKS
1	4JT-11400-30	CRANKSHAFT ASSY	1	1	1	1	
2	4JT-11410-30	.CRANKSHAFT	1	1	1	1	
3	4JT-11420-30	.CRANKSHAFT	1	1	1	1	
4	90209-22071	.WASHER	2	2	2	2	
5	93310-422B0	.BEARING	1	1	1	1	
6	4JT-11651-10	.ROD, CONNECTING	1	1	1	1	
7	4JT-11681-10	.PIN, CRANK 1	1	1	1	1	
8	90280-04001	KEY, WOODRUFF	1	1	1	1	
9	93102-25142	OIL SEAL	1	1	1	1	
10	93103-32183	OIL SEAL	1	1	1	1	
11	93306-30570	BEARING	2	2	2	2	
12	4JT-11445-00	SPACER	1	1	1	1	
13	4JT-11631-30-A0	PISTON (STD)	1	1	1	1	
	4JT-11631-30-B0	PISTON (STD)	1	1	1	1	
	4JT-11631-30-C0	PISTON (STD)	1	1	1	1	
14	4JT-11611-00	RING, PISTON	1	1	1	1	
15	4XM-11633-00	PIN, PISTON	1	1	1	1	
16	93310-315S4	BEARING	1	1	1	1	
17	93450-16068	CIRCLIP	2	2	2	2	
18	4JT-11536-00	GEAR, DRIVE	1	1	1	1	
19	4JT-16111-01	GEAR, PRIMARY DRIVE	1	1	1	1	
20	90201-10144	WASHER, PLATE	1	1	1	1	
21	90105-10445	BOLT, WASHER BASED	1	1	1	1	



4JT5100-8020

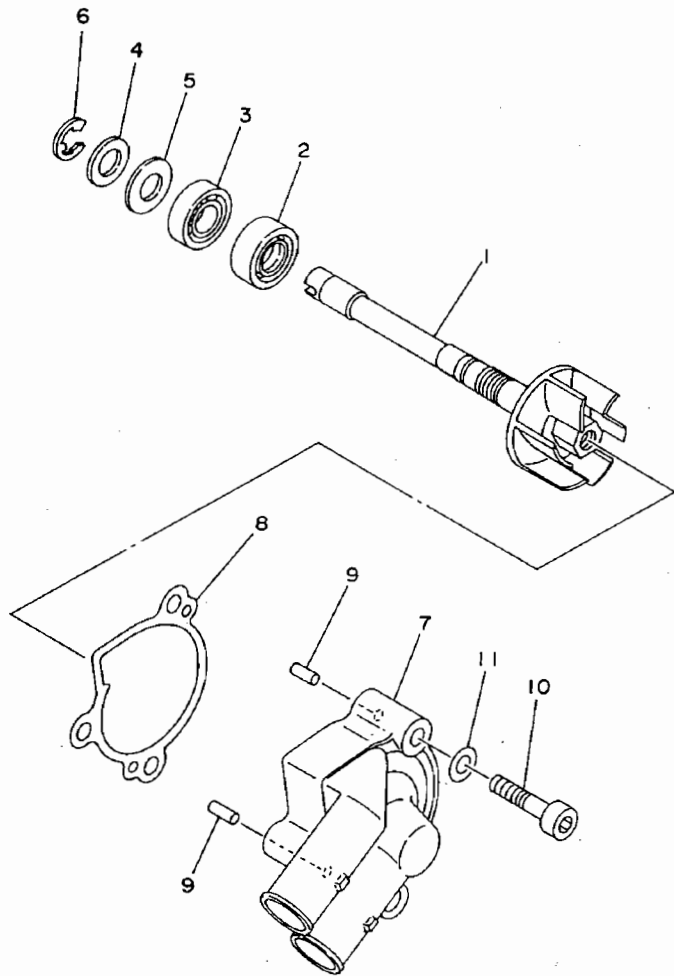


 4JT1100-4030

FIG. 3 COUNTER SHAFT

REF. NO.	PART NO.	DESCRIPTION	USA	EUR	OCE	JPN	REMARKS
1	4JT-11455-00	SHAFT 1	1	1	1	1	
2	99009-37500	CIRCLIP	1	1	1	1	
3	93311-62574	BEARING	1	1	1	1	
4	93306-30318	BEARING	1	1	1	1	
5	2K7-15383-00	PLATE, BEARING COVER	1	1	1	1	
6	90151-06056	SCREW, COUNTERSUNK	1	1	1	1	
7	4JT-11531-00	GEAR, BALANCE WT	1	1	1	1	
8	4JT-11454-00	WEIGHT 1	1	1	1	1	
9	90215-14204	WASHER, LOCK	1	1	1	1	
10	90170-14171	NUT	1	1	1	1	

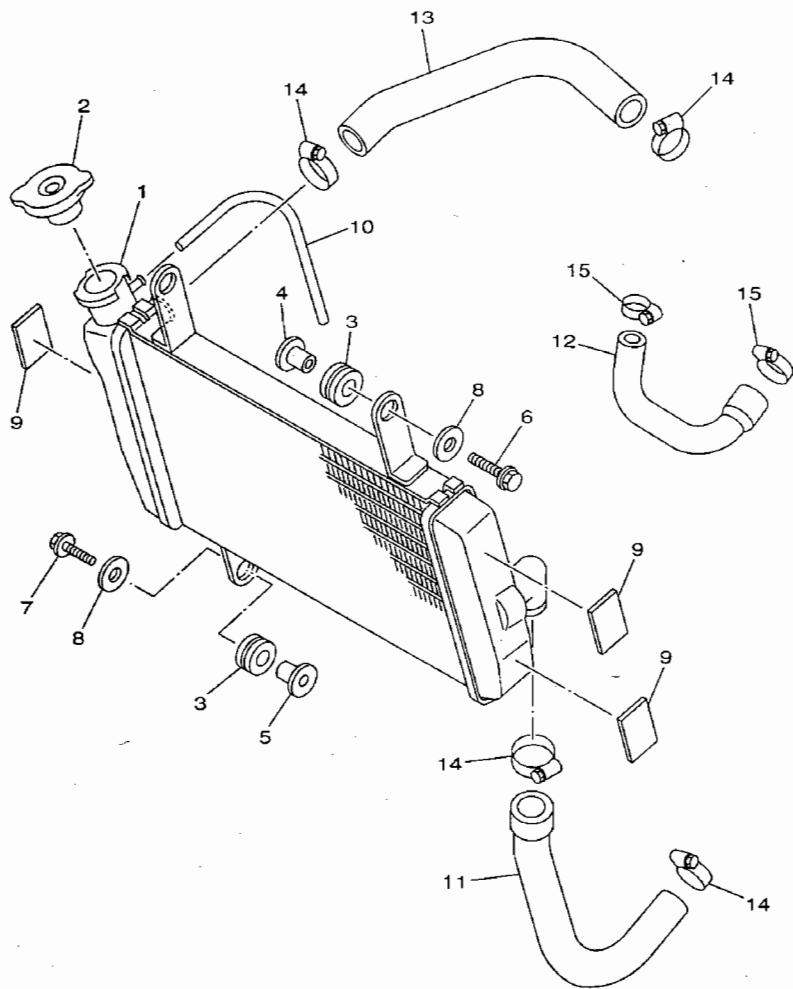
FIG. 4 WATER PUMP



REF. NO.	PART NO.	DESCRIPTION	USA	EUR	OOE	JPN	REMARKS
1	4JT-12450-00	IMPELLER SHAFT ASSY	1	1	1	1	
2	93103-12119	OIL SEAL	1	1	1	1	
3	93306-90105	BEARING	1	1	1	1	
4	90201-114P2	WASHER, PLATE (1.0)	1	1	1	1	
5	90201-114P4	WASHER, PLATE (2.0)	1	1	1	1	
6	99009-11400	CIRCLIP	1	1	1	1	
7	4JT-12422-00	COVER, HOUSING	1	1	1	1	
8	4JT-12428-00	GASKET, HOUSING COVER 2	1	1	1	1	
9	93604-10011	PIN, DOWEL	2	2	2	2	
10	91317-06035	BOLT	3	3	3	3	
11	90430-06166	GASKET	1	1	1	1	



4JT1100-4040

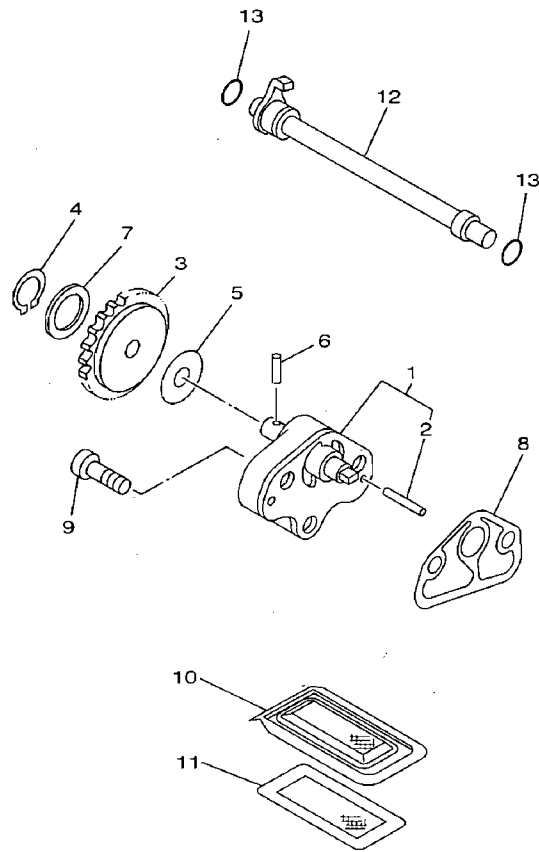


4JT7100-0050

FIG. 5 RADIATOR. HOSE

REF. NO.	PART NO.	DESCRIPTION	USA	EUR	OCE	JPN	REMARKS
1	4JT-12461-10	RADIATOR ASSY	1	1	1	1	
2	22W-12462-00	CAP, RADIATOR	1	1	1	1	
3	90480-15363	GROMMET	3	3	3	3	
4	90387-066N1	COLLAR	2	2	2	2	
5	90387-063E6	COLLAR	1	1	1	1	
6	95027-06030	BOLT, FLANGE	2	2	2	2	
7	95027-06025	BOLT, FLANGE	1	1	1	1	
8	90201-06571	WASHER, PLATE	3	3	3	3	
9	3YL-12232-00	DAMPER	3	3	3	3	
10	90445-09078	HOSE	1	1	1	1	
11	4JT-12482-00	PIPE 2	1	1	1	1	
12	4JT-12483-00	PIPE 3	1	1	1	1	
13	4JT-12484-00	PIPE 4	1	1	1	1	
14	90460-20190	CLAMP, HOSE	4	4	4	4	
15	90450-28073	HOSE CLAMP ASSY	2	2	2	2	

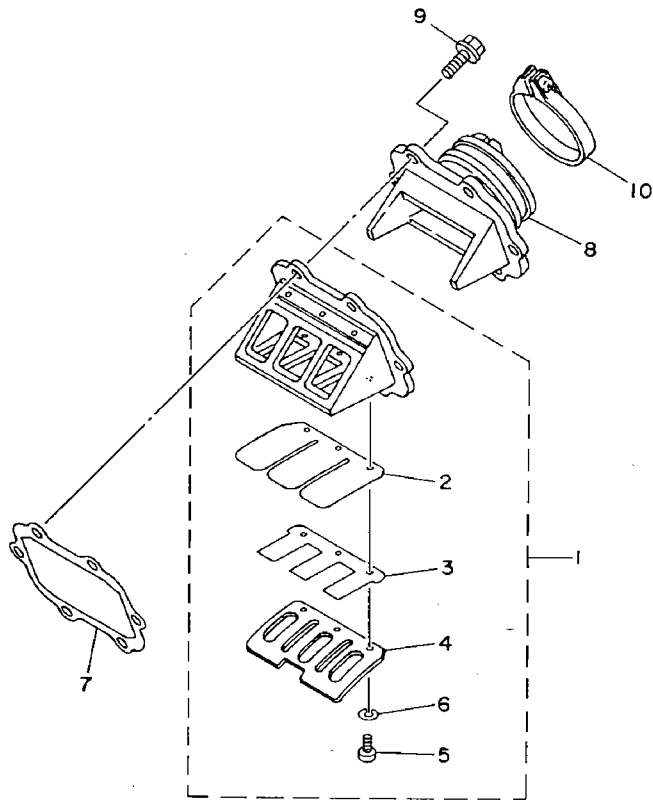
FIG. 6 OIL PUMP



REF. NO.	PART NO.	DESCRIPTION	USA	EUR	OCE	JPN	REMARKS
1	4JT-13300-01	OIL PUMP ASSY	1	1	1	1	
2	93603-07073	.PIN, DOWEL	2	2	2	2	
3	4JT-13325-00	GEAR, PUMP DRIVEN	1	1	1	1	
4	99009-12400	CIRCLIP	1	1	1	1	
5	90201-070J2	WASHER, PLATE	1	1	1	1	
6	93602-12247	PIN, DOWEL	1	1	1	1	
7	90201-126A7	WASHER, PLATE	1	1	1	1	
8	22F-13329-01	GASKET, PUMP COVER	1	1	1	1	
9	90155-06007	SCREW, FLAT FILLISTER	2	2	2	2	
10	3XV-13411-00	STRAINER, OIL	1	1	1	1	
11	3XV-13421-00	STRAINER 2	1	1	1	1	
12	4JT-13161-00	PIPE, DELIVERY 1	1	1	1	1	
13	93210-06001	O-RING	2	2	2	2	


4JT3100-6060

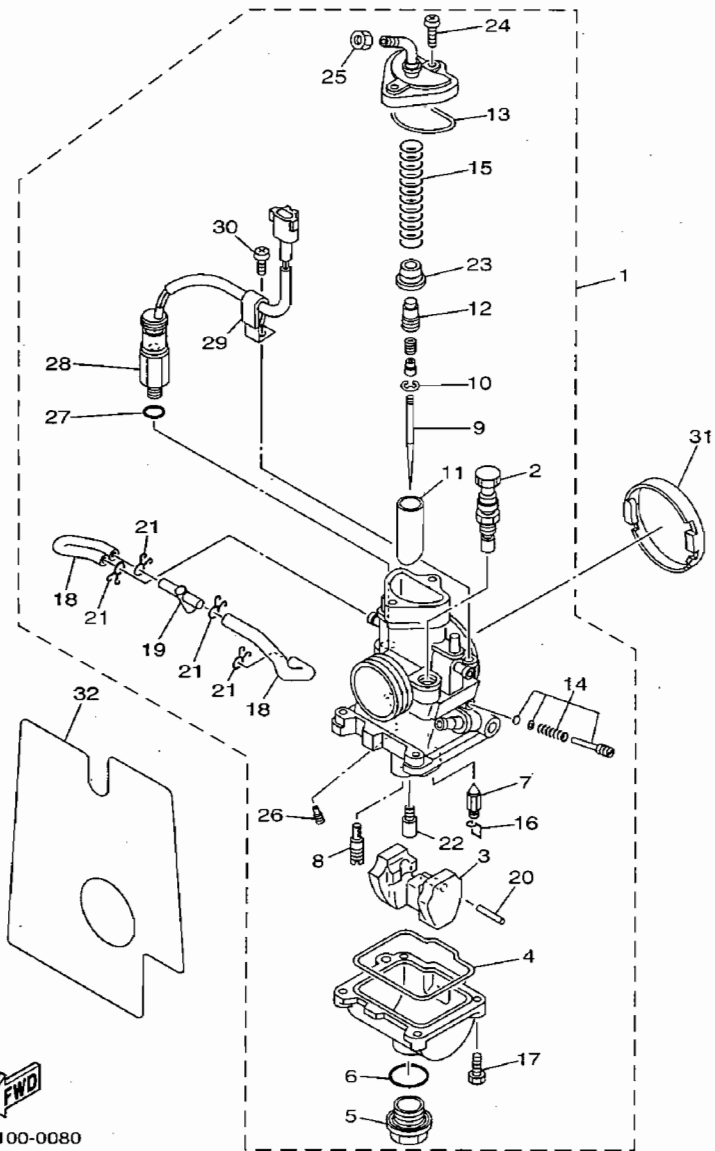
FIG. 7 INTAKE



REF. NO.	PART NO.	DESCRIPTION	USA	EUR	OCE	JPN	REMARKS
1	4JT-13610-00	REED VALVE ASSY	1	1	1	1	
2	3XV-13613-01	.REED, VALVE	2	2	2	2	
3	4JT-13614-00	.REED, VALVE 2	2	2	2	2	
4	4JT-13616-00	.STOPPER, REED VALVE	2	2	2	2	
5	98507-03006	.SCREW, PAN HEAD	6	6	6	6	
6	92907-03100	.WASHER	6	6	6	6	
7	4JT-13621-00	GASKET, VALVE SEAT	1	1	1	1	
8	4JT-13555-20	MANIFOLD, INTAKE	1	1	1	1	
9	91317-06020	BOLT	6	6	6	6	
10	90450-52058	HOSE CLAMP ASSY	1	1	1	1	


4JT1100-4070

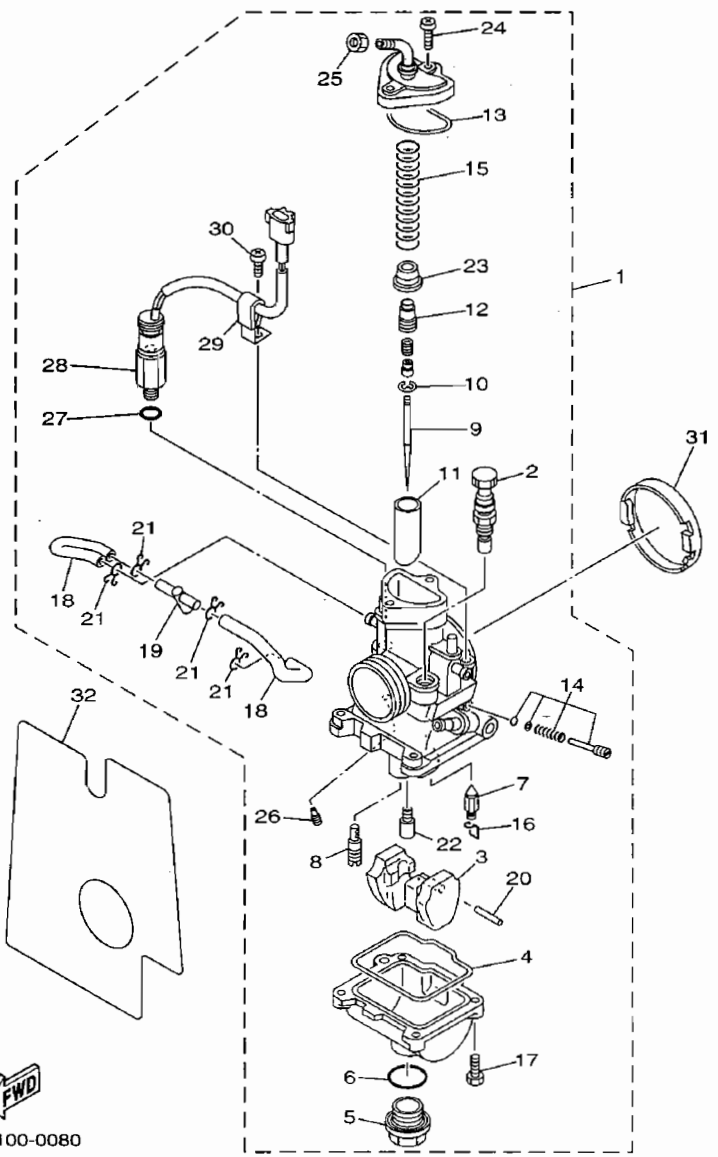
FIG. 8 CARBURETOR



REF. NO.	PART NO.	DESCRIPTION	USA	EUR	OCE	JPN	REMARKS
1	4JT-14101-60	CARBURETOR ASSY 1	1	1	1	1	
2	4JT-14171-00	.PLUNGER, STARTER	1	1	1	1	
3	4SR-14985-00	.FLOAT	1	1	1	1	
4	4JT-14984-00	.GASKET, FLOAT CHAMBER	1	1	1	1	
5	4MX-14115-00	.PLUG, SCREW	1	1	1	1	
6	4MX-14561-00	.O-RING	1	1	1	1	
7	4MX-14392-00	.VALVE, NEEDLE	1	1	1	1	
8	4MX-14948-04	.JET, SLOW (#42)	1	1	1	1	STD
	4SR-14948-02	.JET, SLOW (#38)	1	1	1	1	AP
	4SR-14948-03	.JET, SLOW (#40)	1	1	1	1	AP
9	4JT-14916-VH	.NEEDLE (N8VH)	1	1	1	1	STD
	4JT-14916-VW	.NEEDLE (N8VW)	1	1	1	1	AP
	4JT-14916-VJ	.NEEDLE (N8VJ)	1	1	1	1	AP
	4JT-14916-VK	.NEEDLE (N8VK)	1	1	1	1	AP
	4JT-14916-WH	.NEEDLE (N8WH)	1	1	1	1	AP
	4JT-14916-WW	.NEEDLE (N8WW)	1	1	1	1	AP
	4JT-14916-WJ	.NEEDLE (N8WJ)	1	1	1	1	AP
	4JT-14916-WK	.NEEDLE (N8WK)	1	1	1	1	AP
10	4MX-14919-00	.CLIP	1	1	1	1	
11	4JT-14340-70	.VALVE ASSY	1	1	1	1	
12	4JT-14261-00	.HOLDER	1	1	1	1	
13	4SR-14126-00	.GASKET	1	1	1	1	
14	4SR-14105-00	.PILOT SCREW SET	1	1	1	1	
15	4MX-14131-00	.SPRING, THROTTLE VALVE	1	1	1	1	
16	663-14159-00	.CLIP	1	1	1	1	
17	98502-04014	.SCREW, PAN HEAD	4	4	4	4	
18	4JT-14197-00	.PIPE	2	2	2	2	



4JT7100-0080

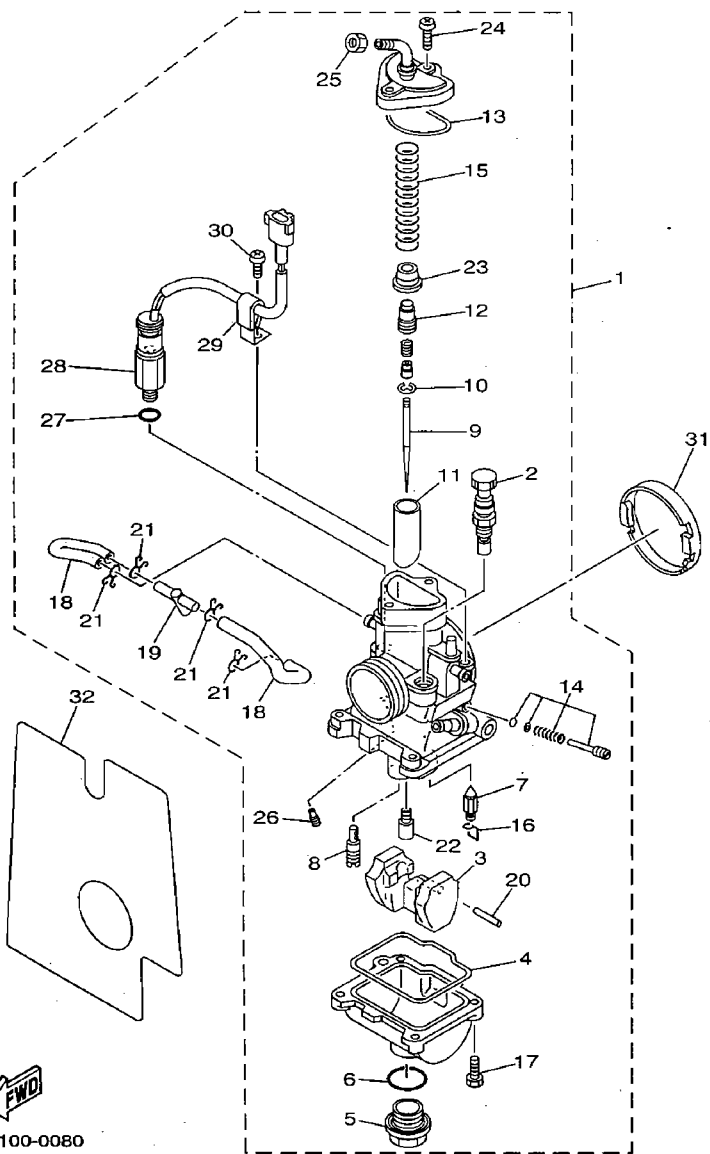


4JT7100-0080

FIG. 8 CARBURETOR

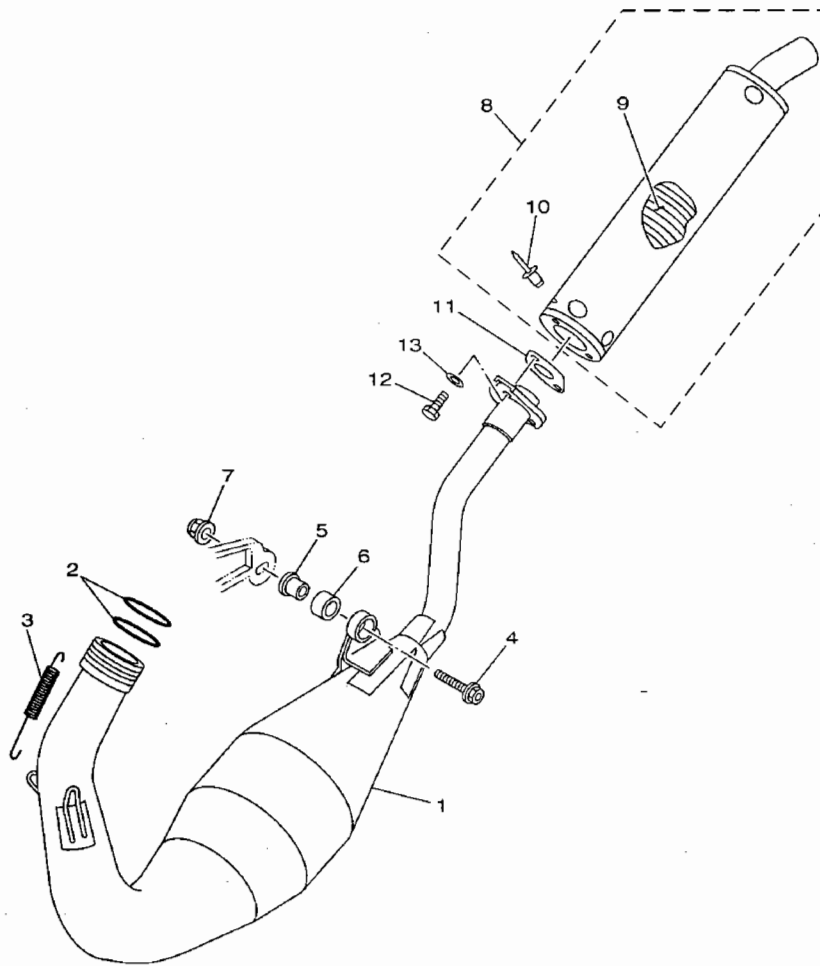
REF. NO.	PART NO.	DESCRIPTION	USA	EUR	OC	JPN	REMARKS
19	4JT-14251-00	.NIPPLE	1	1	1	1	
20	676-14548-00	.PIN, FLOAT ARM	1	1	1	1	
21	3TJ-14137-40	.CLIP	4	4	4	4	
22	4MX-14943-51	.JET, MAIN (#220)	1	1	1	1	STD
	4MX-14943-39	.JET, MAIN (#160)	1	1	1	1	AP
	4MX-14943-90	.JET, MAIN (#162)	1	1	1	1	AP
	4MX-14943-40	.JET, MAIN (#165)	1	1	1	1	AP
	4MX-14943-91	.JET, MAIN (#168)	1	1	1	1	AP
	4MX-14943-41	.JET, MAIN (#170)	1	1	1	1	AP
	4MX-14943-92	.JET, MAIN (#172)	1	1	1	1	AP
	4MX-14943-42	.JET, MAIN (#175)	1	1	1	1	AP
	4MX-14943-93	.JET, MAIN (#178)	1	1	1	1	AP
	4MX-14943-43	.JET, MAIN (#180)	1	1	1	1	AP
	4MX-14943-94	.JET, MAIN (#182)	1	1	1	1	AP
	4MX-14943-44	.JET, MAIN (#185)	1	1	1	1	AP
	4MX-14943-95	.JET, MAIN (#188)	1	1	1	1	AP
	4MX-14943-45	.JET, MAIN (#190)	1	1	1	1	AP
	4MX-14943-96	.JET, MAIN (#192)	1	1	1	1	AP
	4MX-14943-46	.JET, MAIN (#195)	1	1	1	1	AP
	4MX-14943-97	.JET, MAIN (#198)	1	1	1	1	AP
	4MX-14943-47	.JET, MAIN (#200)	1	1	1	1	AP
	4MX-14943-48	.JET, MAIN (#205)	1	1	1	1	AP
	4MX-14943-49	.JET, MAIN (#210)	1	1	1	1	AP
	4MX-14943-50	.JET, MAIN (#215)	1	1	1	1	AP
23	4MX-14194-00	.RING	1	1	1	1	
24	98502-04012	.SCREW, PAN HEAD	2	2	2	2	
25	4JT-14161-00	.NUT, CABLE ADJUSTING	1	1	1	1	

FIG. 8 CARBURETOR




4JT7100-0080

REF. NO.	PART NO.	DESCRIPTION	USA	EUR.	OCE	JPN	REMARKS
26	4JT-1494F-11	.JET (#60) <i>PS</i>	1	1	1	1	STD
	4JT-1494F-03	.JET (#40)	1	1	1	1	AP
	4JT-1494F-07	.JET (#50)	1	1	1	1	AP
27	4JT-14147-00	.O-RING	1	1	1	1	
28	4JT-1410H-00	.FUEL CUT SOLENOID VALVE	1	1	1	1	
29	4JT-14146-00	.PLATE	1	1	1	1	
30	98580-04006	.SCREW, PAN HEAD	1	1	1	1	
31	4JT-14157-10	COVER, MIXING	1	1	1	1	
32	4JT-14283-00	COVER, CARBURETOR 1	1	1	1	1	

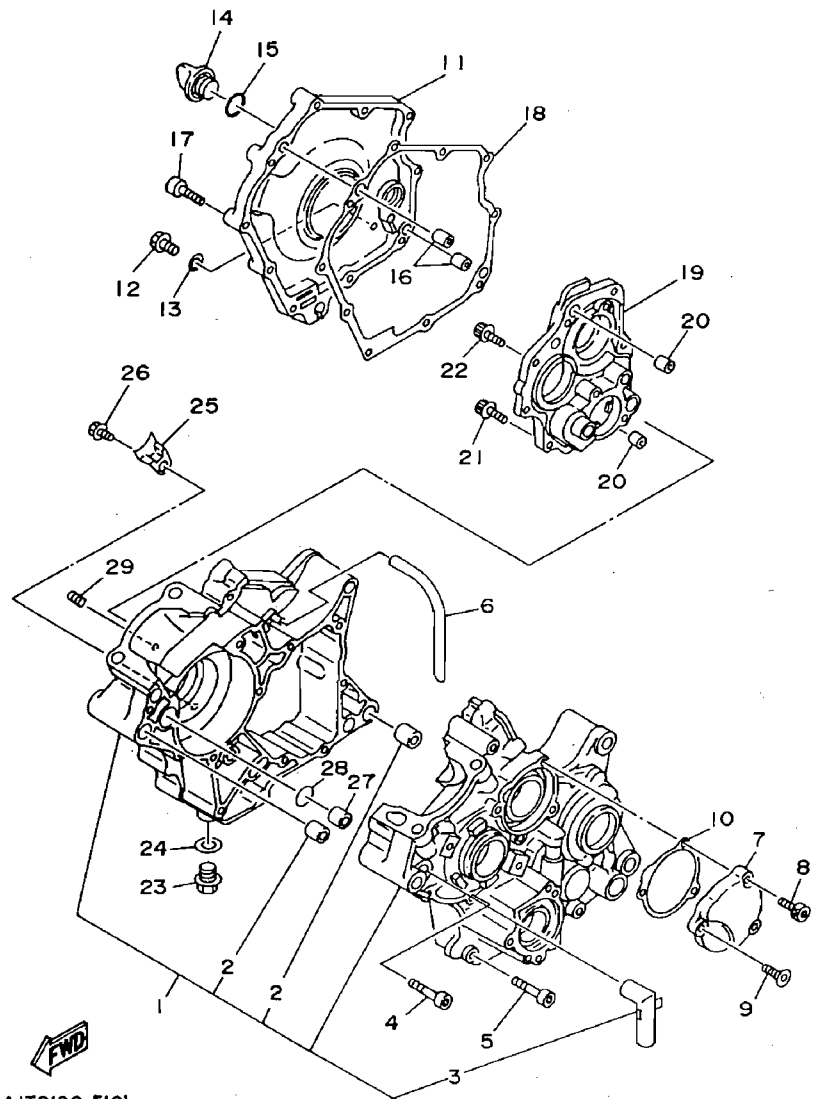


4JT7100-0090

FIG. 9 EXHAUST

REF. NO.	PART NO.	DESCRIPTION	USA	EUR	OCE	JPN	REMARKS
1	4JT-14610-C0	EXHAUST PIPE ASSY 1		1	1	1	
	4JT-14610-D0	EXHAUST PIPE ASSY 1	1				
2	93210-42728	O-RING	2	2	2	2	
3	90507-20061	SPRING, TENSION	2	2	2	2	
4	95817-08040	BOLT, FLANGE	1	1	1	1	
5	90387-0803Y	COLLAR	1	1	1	1	
6	4A0-21485-00	DAMPER, RUBBER 1	1	1	1	1	
7	90185-08097	NUT, SELF-LOCKING	1	1	1	1	
8	4JT-14753-20	SILENCER, EXHAUST	1	1	1	1	
9	4JT-1469A-00	.FIBER	1	1	1	1	
10	90267-48147	.RIVET, BLIND	10	10	10	10	
11	4DP-14755-00	GASKET, SILENCER	1	1	1	1	
12	97027-06020	BOLT	2	2	2	2	
13	92907-06600	WASHER, PLATE	2	2	2	2	

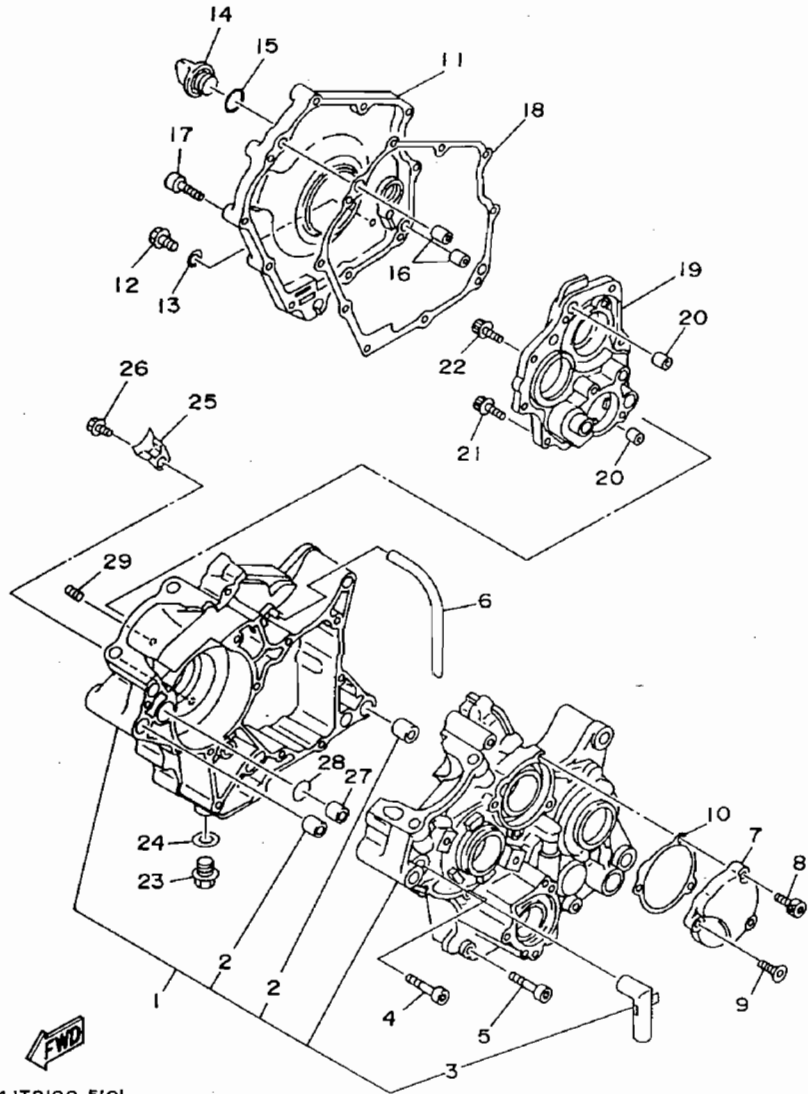
FIG. 10 CRANKCASE



4JT2100-5101

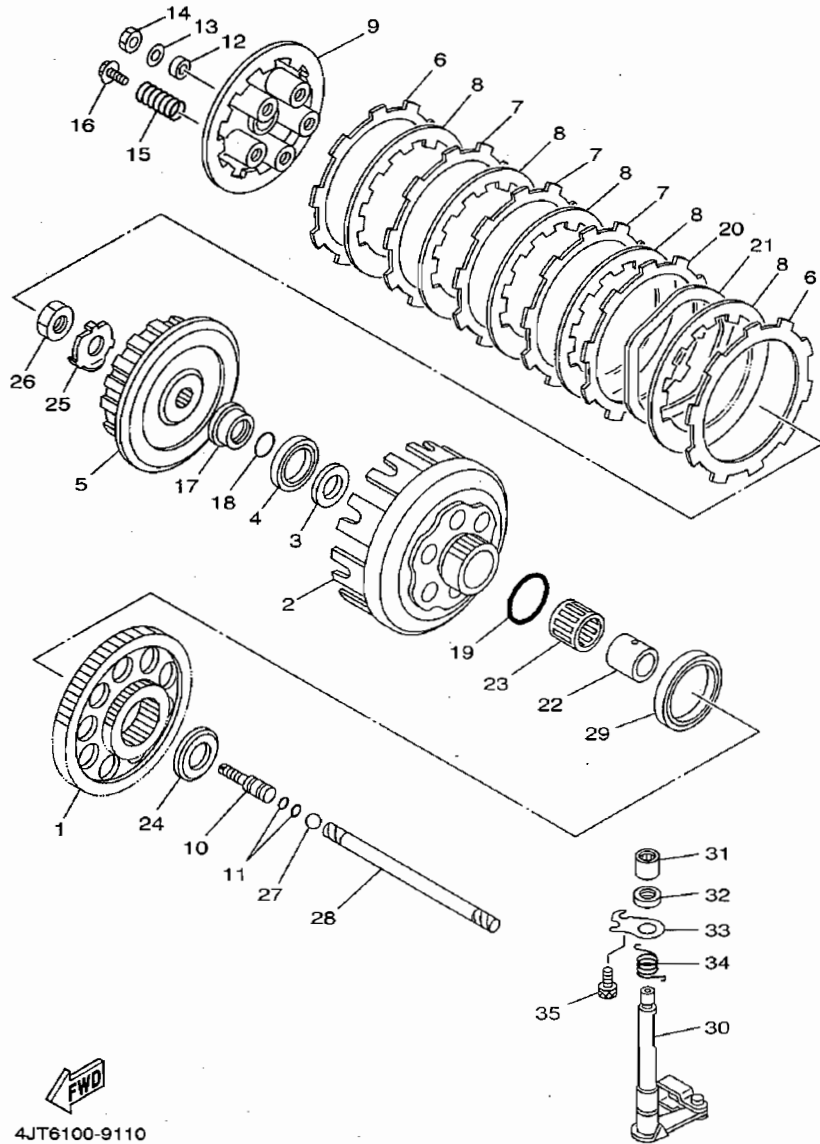
REF. NO.	PART NO.	DESCRIPTION	USA	EUR	OC	JPN	REMARKS
1	4JT-15100-10	CRANKCASE ASSY	1	1	1	1	
2	99590-14016	.PIN, DOWEL	2	2	2	2	
3	4JT-12469-01	.JOINT 1	1	1	1	1	
4	91317-06060	BOLT	9	9	9	9	
5	91317-06045	BOLT	4	4	4	4	
6	90445-092J9	HOSE	1	1	1	1	
7	4JT-15411-00	COVER, CRANKCASE 1	1	1	1	1	
8	90110-06136	BOLT, HEXAGON SOCKET HEAD	2	2	2	2	
9	90149-06286	SCREW	1	1	1	1	
10	4JT-15451-10	GASKET, CRANKCASE COVER 1	1	1	1	1	
11	4JT-15421-02	COVER, CRANKCASE 2	1	1	1	1	
12	90338-06041	PLUG	1	1	1	1	
13	90430-06166	GASKET	1	1	1	1	
14	4A0-15363-00	PLUG, OIL	1	1	1	1	
15	93210-21190	O-RING	1	1	1	1	
16	99530-10114	PIN, DOWEL	2	2	2	2	
17	91317-06030	BOLT	10	10	10	10	
18	4JT-15461-00	GASKET, CRANKCASE COVER 2	1	1	1	1	
19	4JT-15131-01	CRANKCASE 3	1	1	1	1	
20	99530-10114	PIN, DOWEL	2	2	2	2	
21	90109-065F8	BOLT	5	5	5	5	
22	90109-067E6	BOLT	2	2	2	2	
23	90340-12144	PLUG, STRAIGHT SCREW	1	1	1	1	
24	90430-12202	GASKET	1	1	1	1	
25	3R3-15128-01	HOLDER	1	1	1	1	
26	90105-08729	BOLT, WASHER BASED	1	1	1	1	
27	99590-14016	PIN, DOWEL	3	3	3	3	

FIG. 10 CRANKCASE



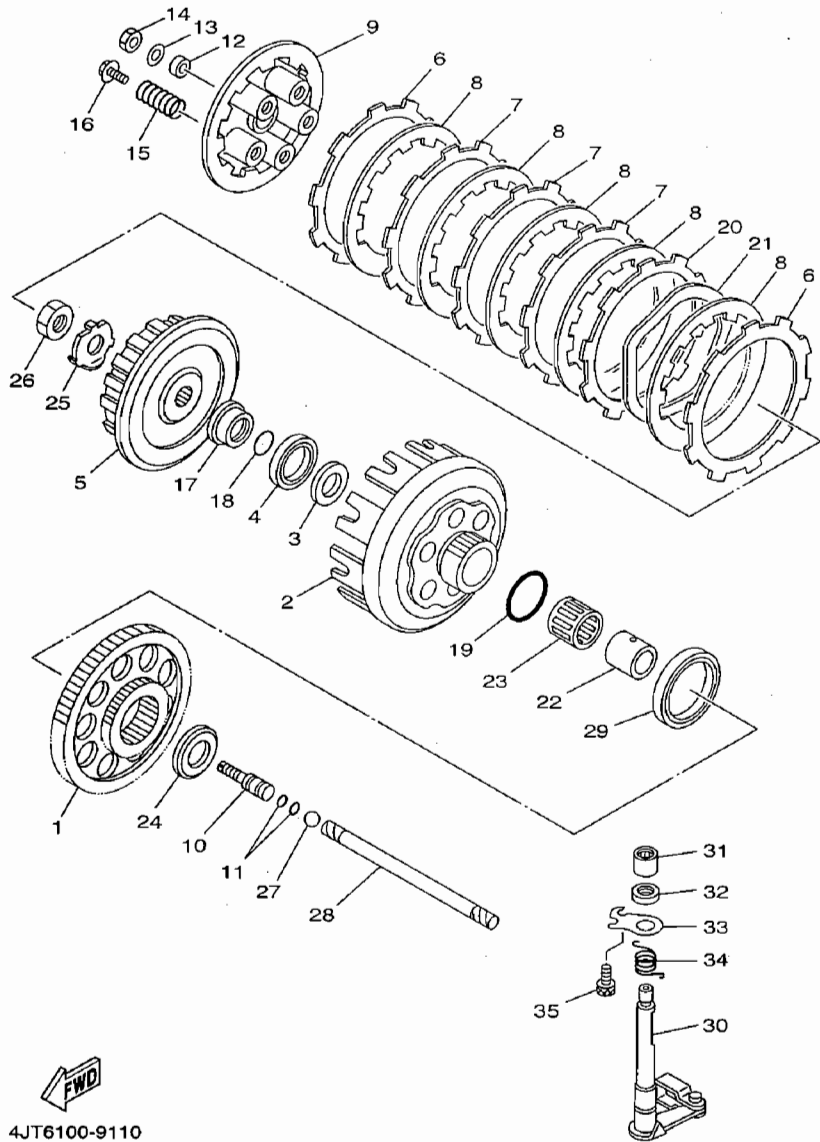
REF. NO.	PART NO.	DESCRIPTION	USA	EUR	OC	JPN	REMARKS
28	93210-14515	O-RING	1	1	1	1	
29	90113-08056	BOLT, SET	1	1	1	1	

FIG. 11 CLUTCH



REF. NO.	PART NO.	DESCRIPTION	USA	EUR	OCÉ	JPN	REMARKS
1	4JT-16151-01	GEAR, PRIMARY DRIVEN	1	1	1	1	
2	4JT-16310-01	CLUTCH HOUSING ASSY	1	1	1	1	
3	90201-17550	WASHER, PLATE	1	1	1	1	
4	93102-26042	OIL SEAL	1	1	1	1	
5	4JT-16371-00	BOSS, CLUTCH	1	1	1	1	
6	4JT-16321-00	PLATE, FRICTION	2	2	2	2	
7	4JT-16331-00	PLATE, FRICTION 2	3	3	3	3	
8	257-16324-00	PLATE, CLUTCH 1	5	5	5	5	
9	37F-16351-00	PLATE, PRESSURE 1	1	1	1	1	
10	4JT-16356-00	ROD, PUSH 1	1	1	1	1	
11	93210-48364	O-RING	2	2	2	2	
12	1W1-16358-01	PLATE, PUSH	1	1	1	1	
13	92907-06200	WASHER	1	1	1	1	
14	95307-06600	NUT	1	1	1	1	
15	90501-20361	SPRING, COMPRESSION	5	5	5	5	
16	90119-05001	BOLT, WITH WASHER	5	5	5	5	
17	4JT-16184-00	PLATE, THRUST	1	1	1	1	
18	93210-17239	O-RING	1	1	1	1	
19	93210-34504	O-RING	1	1	1	1	
20	4JT-16331-10	PLATE, FRICTION 2	1	1	1	1	
21	1HX-16383-00	SPRING, CLUTCH BOSS	1	1	1	1	
22	4JT-16181-01	SPACER 1	1	1	1	1	
23	93310-225N0	BEARING	1	1	1	1	
24	4JT-16154-00	PLATE, THRUST 1	1	1	1	1	
25	90215-14204	WASHER, LOCK	1	1	1	1	
26	90170-14171	NUT	1	1	1	1	
27	93505-16006	BALL	1	1	1	1	

FWD
4JT6100-9110

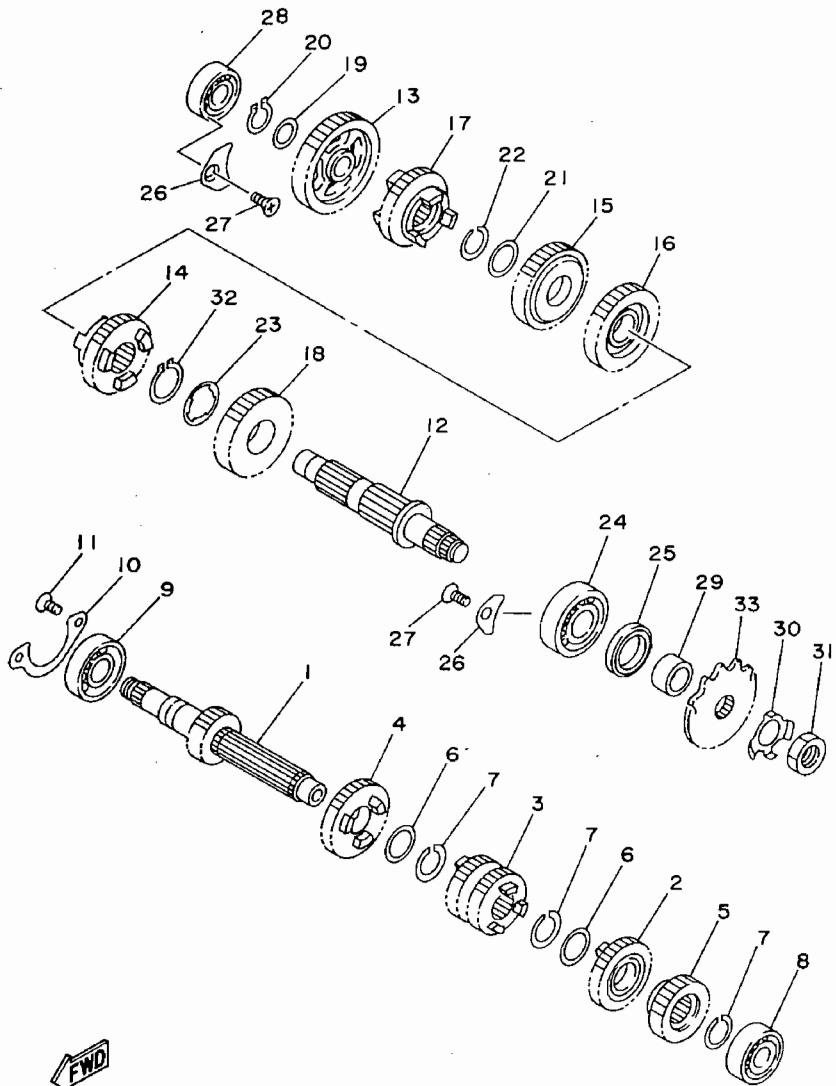


4JT6100-9110

FIG. 11 CLUTCH

REF. NO.	PART NO.	DESCRIPTION	USA	EUR	OCE	JPN	REMARKS
28	5H0-16357-00	ROD, PUSH 2	1	1	1	1	
29	93101-45091	OIL SEAL	1	1	1	1	
30	4JT-16380-20	PUSH LEVER ASSY	1	1	1	1	
31	93315-11206	BEARING	1	1	1	1	
32	93102-12224	OIL SEAL	1	1	1	1	
33	4JT-16384-00	PLATE, SEAT	1	1	1	1	
34	90508-145A5	SPRING, TORSION	1	1	1	1	
35	91317-06010	BOLT	1	1	1	1	

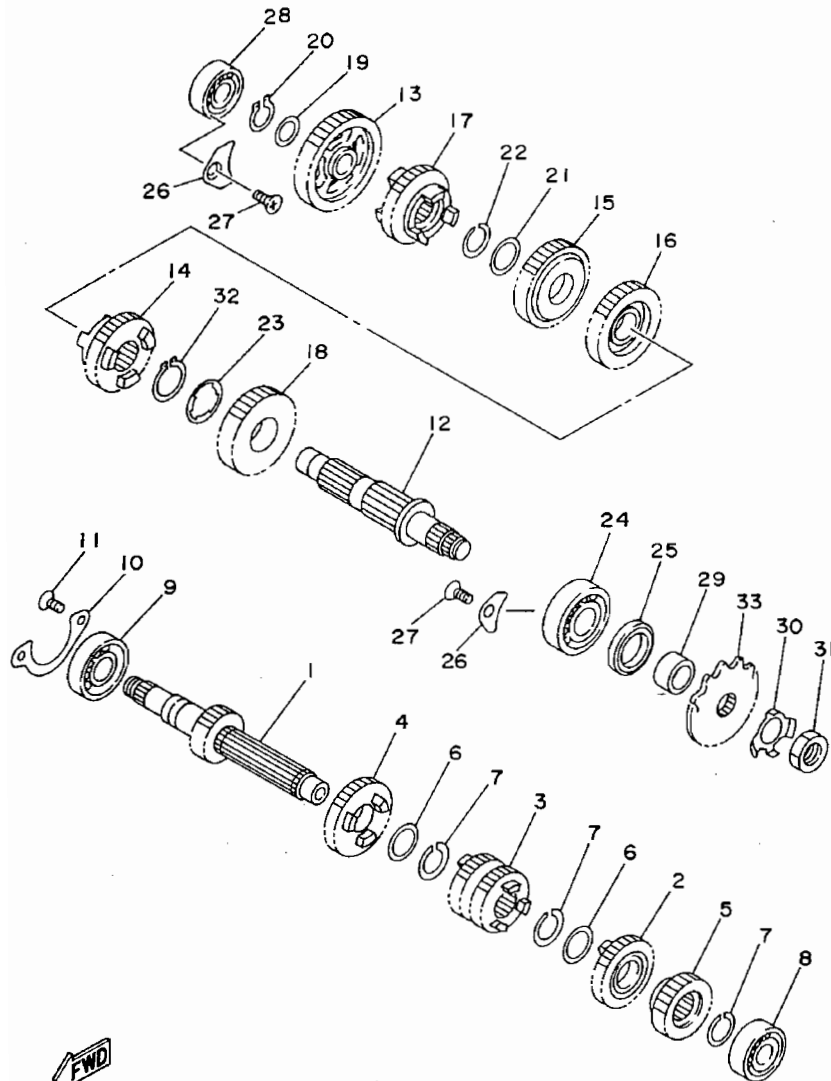
FIG. 12 TRANSMISSION



REF. NO.	PART NO.	DESCRIPTION	USA	EUR	OCE	JPN	REMARKS
1	4JT-17411-00	AXLE, MAIN (15T)	1	1	1	1	
2	4JT-17151-20	GEAR, 5TH PINION (21T)	1	1	1	1	STD
	4JT-17151-10	GEAR, 5TH PINION (23T)	1	1	1	1	UR
3	4JT-17131-30	GEAR, 3RD/4TH PINION (17T/20T)	1	1	1	1	STD
	4JT-17131-00	GEAR, 3RD/4TH PINION (16T/22T)	1	1	1	1	UR
	4JT-17131-10	GEAR, 3RD/4TH PINION (19T/22T)	1	1	1	1	UR
4	4JT-17161-30	GEAR, 6TH PINION (24T)	1	1	1	1	STD
	4JT-17161-11	GEAR, 6TH PINION (27T)	1	1	1	1	UR
5	4JT-17121-30	GEAR, 2ND PINION (19T)	1	1	1	1	STD
	4JT-17121-00	GEAR, 2ND PINION (21T)	1	1	1	1	UR
	4JT-17121-10	GEAR, 2ND PINION (17T)	1	1	1	1	UR
6	90209-18208	WASHER	2	2	2	2	
7	93410-22039	CIRCLIP	3	3	3	3	
8	93306-20336	BEARING	1	1	1	1	
9	93306-20401	BEARING (B6204)	1	1	1	1	
10	4JT-15383-00	PLATE, BEARING COVER	1	1	1	1	
11	90151-06056	SCREW, COUNTERSUNK	2	2	2	2	
12	4JT-17421-00	AXLE, DRIVE	1	1	1	1	
13	4JT-17211-00	GEAR, 1ST WHEEL (30T)	1	1	1	1	STD
	4JT-17211-10	GEAR, 1ST WHEEL (29T)	1	1	1	1	UR
14	4JT-17251-30	GEAR, 5TH WHEEL (24T)	1	1	1	1	STD
	4JT-17251-10	GEAR, 5TH WHEEL (26T)	1	1	1	1	UR
15	4JT-17231-30	GEAR, 3RD WHEEL (24T)	1	1	1	1	STD
	4JT-17231-00	GEAR, 3RD WHEEL (23T)	1	1	1	1	UR
	4JT-17231-10	GEAR, 3RD WHEEL (26T)	1	1	1	1	UR
16	4JT-17241-30	GEAR, 4TH WHEEL (25T)	1	1	1	1	STD
	4JT-17241-00	GEAR, 4TH WHEEL (28T)	1	1	1	1	UR


4JT1100-4120

FIG. 12 TRANSMISSION

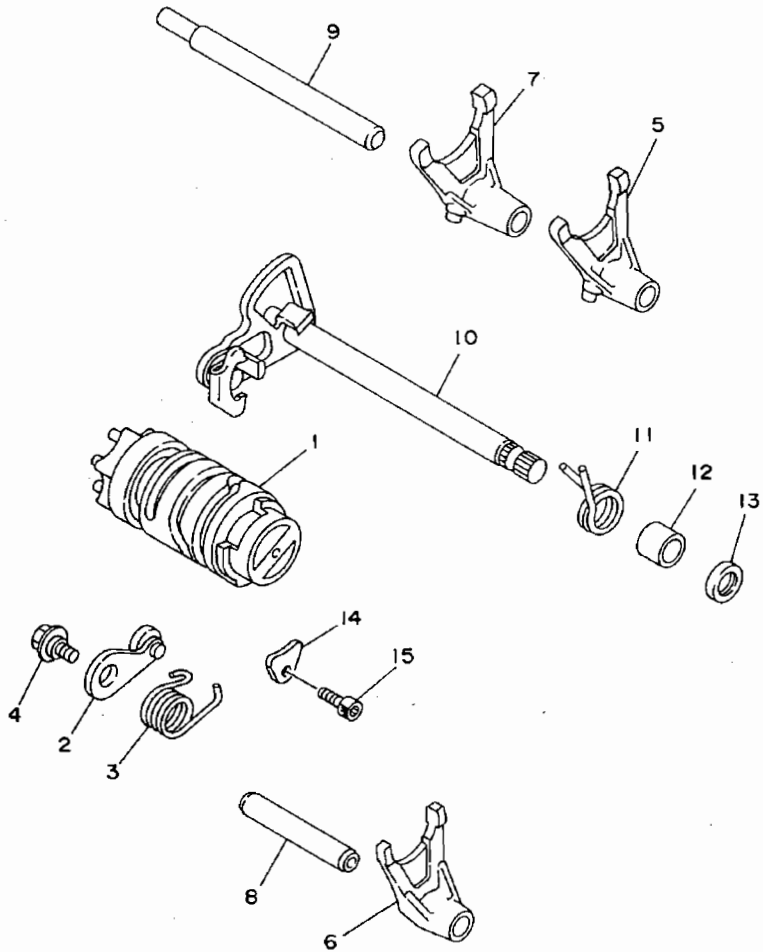


4JT1100-4120

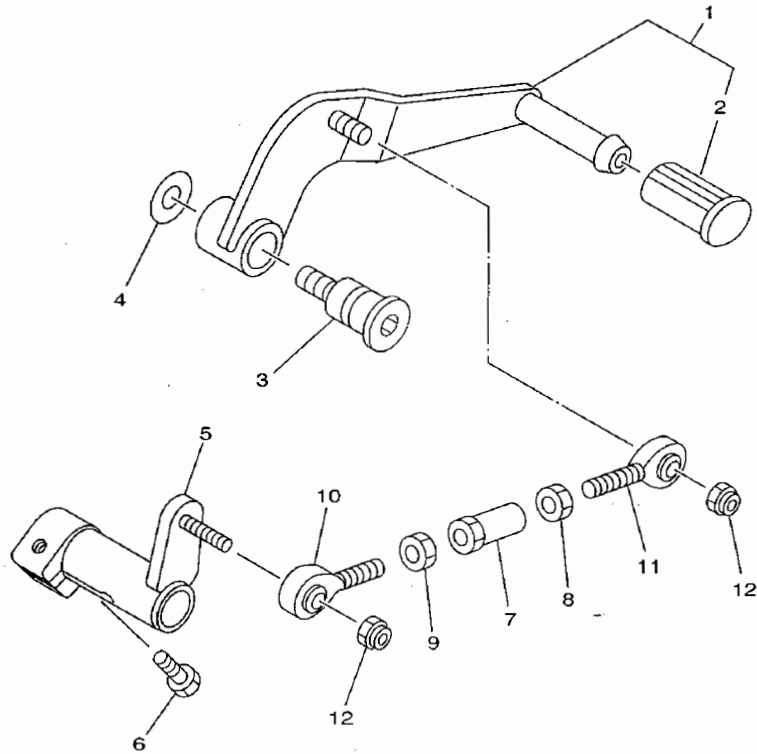
REF. NO.	PART NO.	DESCRIPTION	USA	EUR	OC	JPN	REMARKS
16	4JT-17241-10	GEAR, 4TH WHEEL (27T)	1	1	1	1	UR
17	4JT-17261-30	GEAR, 6TH WHEEL (26T)	1	1	1	1	STD
	4JT-17261-11	GEAR, 6TH WHEEL (29T)	1	1	1	1	UR
18	4JT-17221-30	GEAR, 2ND WHEEL (31T)	1	1	1	1	STD
	4JT-17221-00	GEAR, 2ND WHEEL (35T)	1	1	1	1	UR
	4JT-17221-10	GEAR, 2ND WHEEL (27T)	1	1	1	1	UR
19	90201-177G4	WASHER, PLATE	1	1	1	1	
20	93410-17037	CIRCLIP	1	1	1	1	
21	90209-18208	WASHER	1	1	1	1	
22	93410-22039	CIRCLIP	1	1	1	1	
23	90209-23241	WASHER	1	1	1	1	
24	93306-30401	BEARING (B6304)	1	1	1	1	
25	93102-26042	OIL SEAL	1	1	1	1	
26	4JT-15381-01	PLATE, BEARING COVER	3	3	3	3	
27	90151-06056	SCREW, COUNTERSUNK	2	2	2	2	
28	93306-20336	BEARING	1	1	1	1	
29	90387-204Y5	COLLAR	1	1	1	1	
30	90215-20261	WASHER, LOCK	1	1	1	1	
31	90179-16226	NUT	1	1	1	1	
32	93410-26067	CIRCLIP	1	1	1	1	
33	938AA-17196	SPROCKET, DRIVE (17T)	1	1	1	1	STD
	938AA-16198	SPROCKET, DRIVE (16T)	1	1	1	1	UR
	938AA-18199	SPROCKET, DRIVE (18T)	1	1	1	1	UR

FIG. 13 SHIFT CAM. FORK

REF. NO.	PART NO.	DESCRIPTION	USA	EUR	OCÉ	JPN	REMARKS
1	4JT-18540-10	SHIFT CAM ASSY	1	1	1	1	
2	4JT-18140-11	STOPPER LEVER ASSY	1	1	1	1	
3	90508-235A8	SPRING, TORSION	1	1	1	1	
4	90109-063F7	BOLT	1	1	1	1	
5	4JT-18511-00	FORK, SHIFT 1	1	1	1	1	
6	4JT-18512-00	FORK, SHIFT 2	1	1	1	1	
7	4JT-18513-01	FORK, SHIFT 3	1	1	1	1	
8	4JT-18531-00	BAR, SHIFT FORK GUIDE 1	1	1	1	1	
9	4JT-18535-00	BAR, SHIFT FORK GUIDE 2	1	1	1	1	
10	4JT-18101-01	SHIFT SHAFT ASSY	1	1	1	1	
11	90508-290A8	SPRING, TORSION	1	1	1	1	
12	90560-12280	SPACER	1	1	1	1	
13	93109-12012	OIL SEAL	1	1	1	1	
14	4JT-18562-00	PLATE, STOPPER 2	2	2	2	2	
15	90110-05227	BOLT, HEXAGON SOCKET HEAD	2	2	2	2	



4JT1100-4130

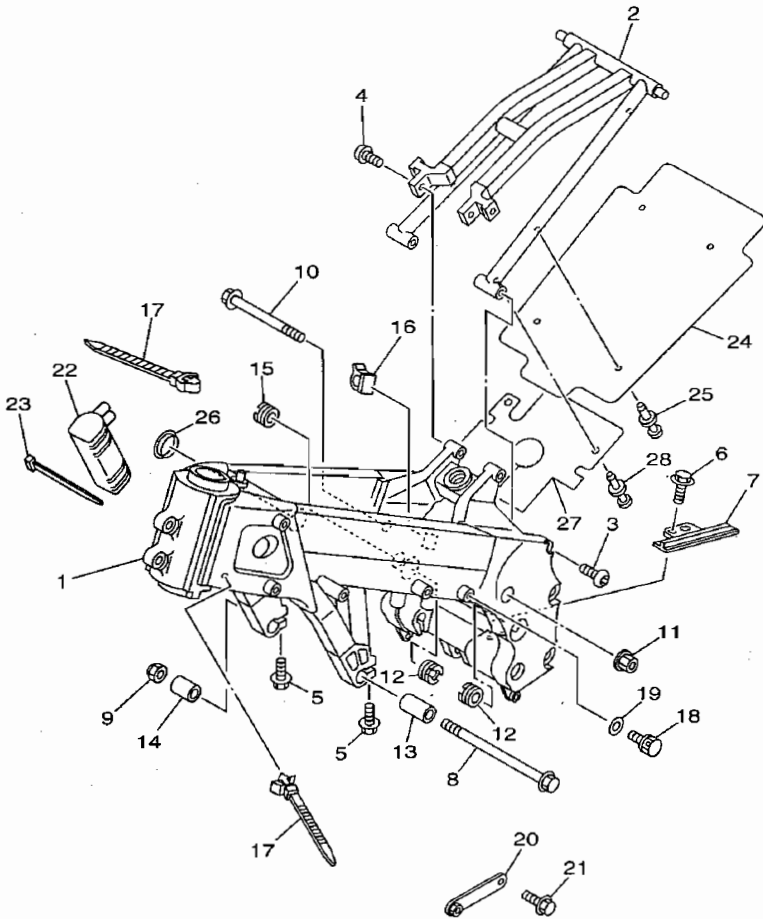


4JT5100-8140

FIG. 14 SHIFT SHAFT

REF. NO.	PART NO.	DESCRIPTION	USA	EUR	OC	JPN	REMARKS
1	4JT-18110-20	SHIFT PEDAL ASSY	1	1	1	1	
2	4A0-18113-00	.COVER, SHIFT PEDAL	1	1	1	1	
3	90109-087F6	BOLT	1	1	1	1	
4	90201-087F0	WASHER, PLATE	1	1	1	1	
5	4JT-18112-10	ARM, SHIFT	1	1	1	1	
6	97017-06020	BOLT	1	1	1	1	
7	4JT-18115-10	ROD, SHIFT	1	1	1	1	
8	90170-06228	NUT(COUNTER CLOCKWISE)	1	1	1	1	
9	95304-06700	NUT	1	1	1	1	
10	5F7-18116-00	JOINT, ROD 1	1	1	1	1	
11	3TC-18117-00	JOINT, ROD 2	1	1	1	1	
12	95607-06100	NUT, U	2	2	2	2	

FIG. 15 FRAME

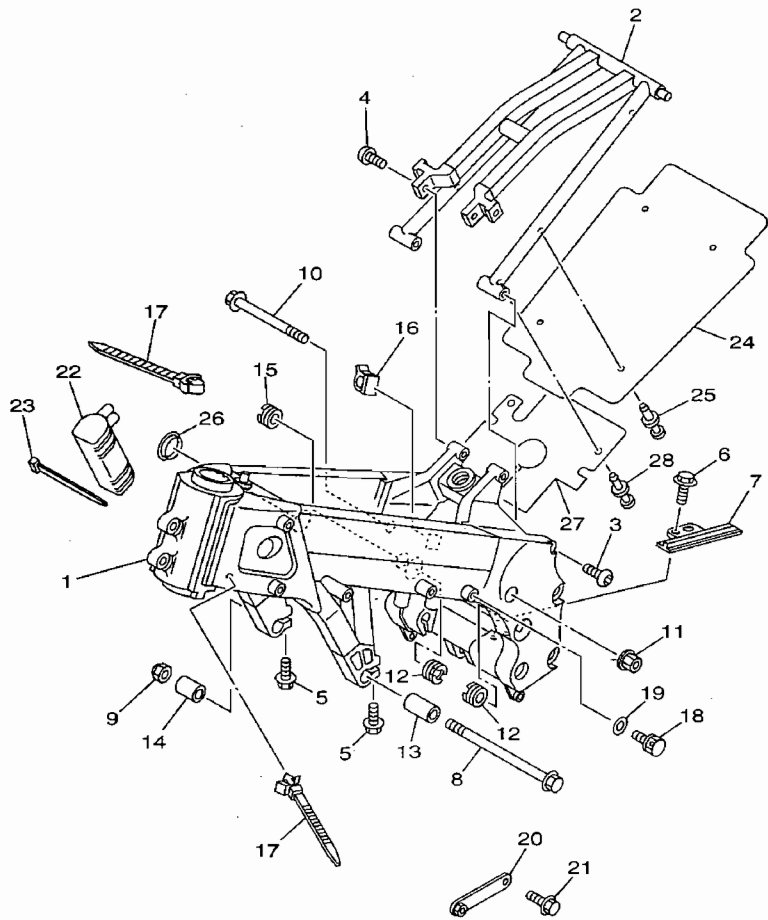


REF. NO.	PART NO.	DESCRIPTION	USA	EUR	OCE	JPN	REMARKS
1	4JT-21110-33	FRAME COMP.	1	1	1	1	
2	4JT-21190-21	REAR FRAME COMP.	1	1	1	1	
3	92017-08025	BOLT, BUTTON HEAD	2	2	2	2	
4	92017-08020	BOLT, BUTTON HEAD	2	2	2	2	
5	90109-067E6	BOLT	2	2	2	2	
6	90119-05239	BOLT, WITH WASHER	2	2	2	2	
7	4TW-22151-00	SEAL, GUARD	1	1	1	1	
8	90105-10726	BOLT, WASHER BASED	1	1	1	1	
9	95607-10200	NUT, SELF-LOCKING	1	1	1	1	
10	90105-10183	BOLT, WASHER BASED	2	2	2	2	
11	90179-10696	NUT	2	2	2	2	
12	4JT-21495-10	BOLT, ENGINE ADJUSTING	2	2	2	2	
13	4JT-21117-00	SLEEVE, 1	1	1	1	1	
14	4JT-21118-00	SLEEVE, 2	1	1	1	1	
15	4JT-21495-00	BOLT, ENGINE ADJUSTING	1	1	1	1	
16	90464-25160	CLAMP	1	1	1	1	
17	90464-12089	CLAMP	2	2	2	2	
18	90338-08041	PLUG	2	2	2	2	
19	90430-06166	GASKET	2	2	2	2	
20	4JT-2117A-10	STAY	1	1	1	1	
21	95027-06016	BOLT, FLANGE	1	1	1	1	
22	3YL-21751-00	TANK, OIL	1	1	1	1	
23	90465-13275	CLAMP	2	2	2	2	
24	4JT-21629-11	GUARD, MUD	1	1	1	1	
25	90269-05049	RIVET	4	4	4	4	
26	4JT-2117G-00	PROTECTOR	1	1	1	1	
27	4JT-21642-20	GUARD, FLAP	1	1	1	1	AP



4JT6100-9151

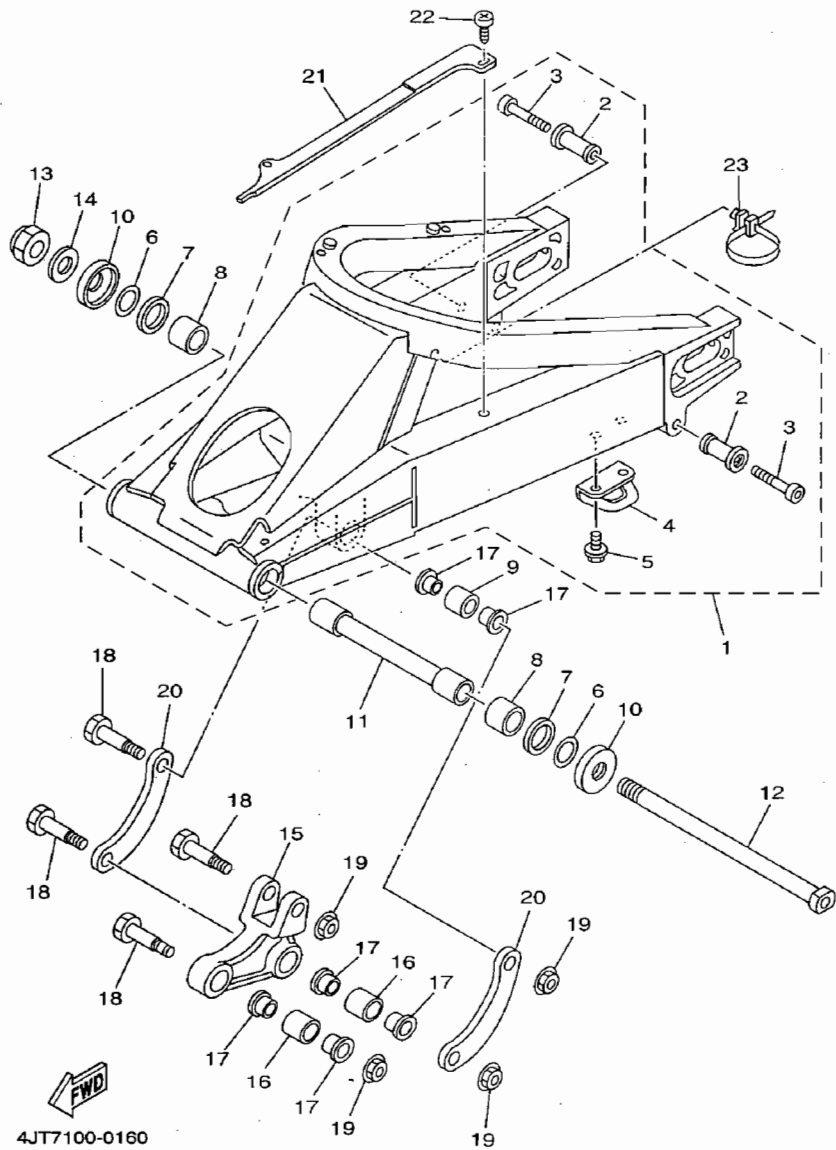
FIG. 15 FRAME



4JT6100-9151

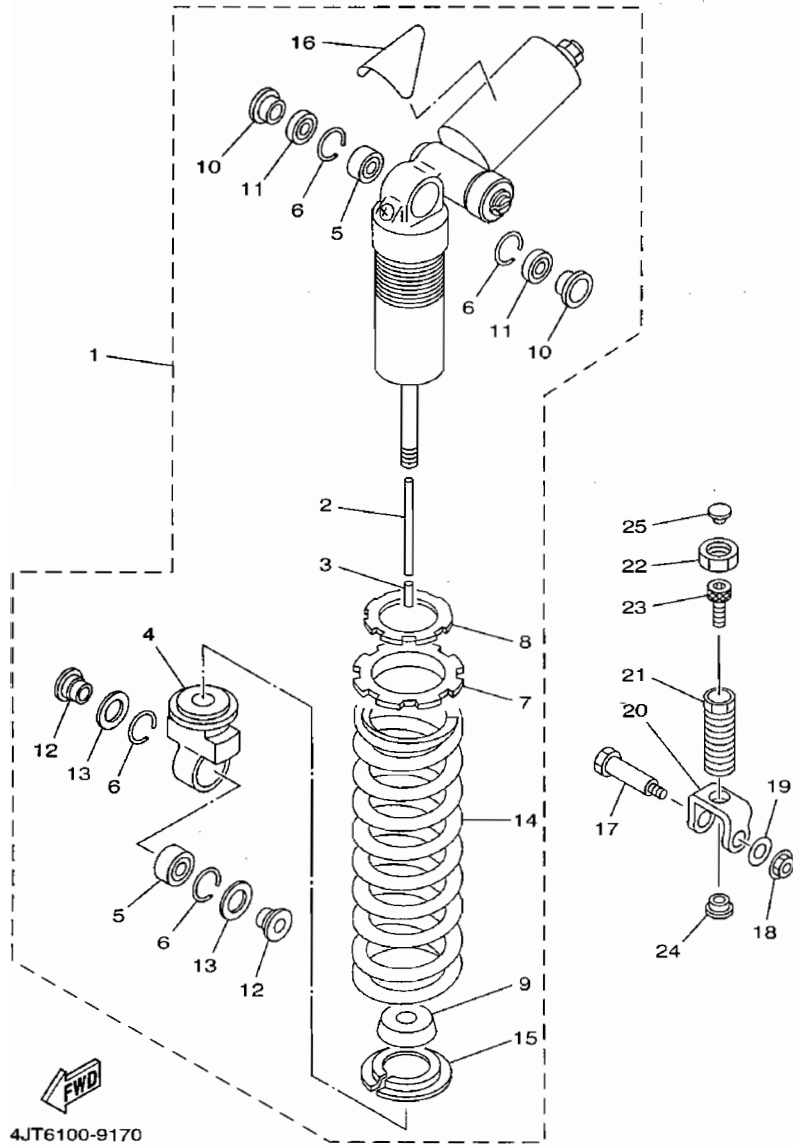
REF. NO.	PART NO.	DESCRIPTION	USA	EUR	OCE	JPN	REMARKS
28	90269-05049	RIVET	2	2	2	2	AP

FIG. 16 REAR ARM



REF. NO.	PART NO.	DESCRIPTION	USA	EUR	OCE	JPN	REMARKS
1	4JT-22110-40	REAR ARM COMP.	1	1	1	1	
2	4JT-2216F-10	.HOOK	2	2	2	2	
3	91317-06040	.BOLT	2	2	2	2	
4	4JT-22187-00	.GUIDE, CHAIN	1	1	1	1	
5	95027-06016	.BOLT, FLANGE	2	2	2	2	
6	156-22127-00	SHIM (0.3T)	3	3	3	3	
7	93342-22215	BEARING	2	2	2	2	
8	93317-32231	BEARING	2	2	2	2	
9	93320-21507	BEARING	1	1	1	1	
10	4EW-22129-00	COVER, THRUST 2	2	2	2	2	
11	4JT-22184-00	BUSH	1	1	1	1	
12	1LX-22141-00	SHAFT, PIVOT	1	1	1	1	
13	90185-16127	NUT, SELF-LOCKING	1	1	1	1	
14	92907-16200	WASHER	1	1	1	1	
15	4JT-2217A-10	ARM, RELAY	1	1	1	1	
16	93320-21507	BEARING	2	2	2	2	
17	90387-124Y8	COLLAR	6	6	6	6	
18	90101-10709	BOLT	4	4	4	4	
19	95607-10200	NUT, SELF-LOCKING	4	4	4	4	
20	4JT-2217F-10	ROD, CONNECTING 1	2	2	2	2	
21	4JT-22151-00	SEAL, GUARD	2	2	2	2	
22	97707-50012	SCREW, TAPPING	4	4	4	4	
23	90464-12089	CLAMP	1	1	1	1	

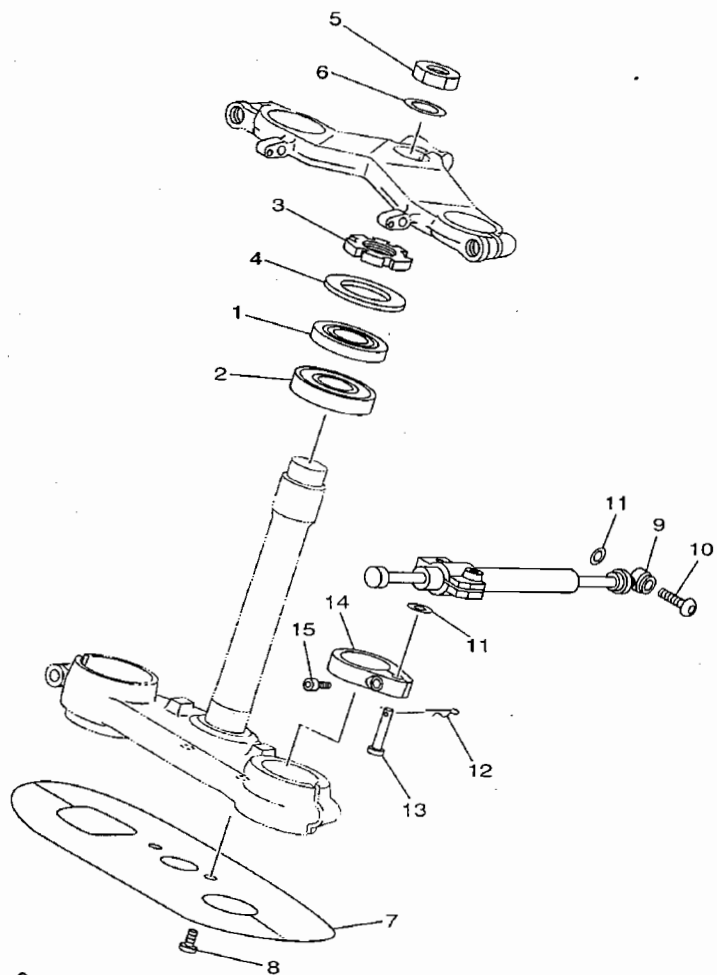
FIG. 17 REAR SUSPENSION



4JT6100-9170

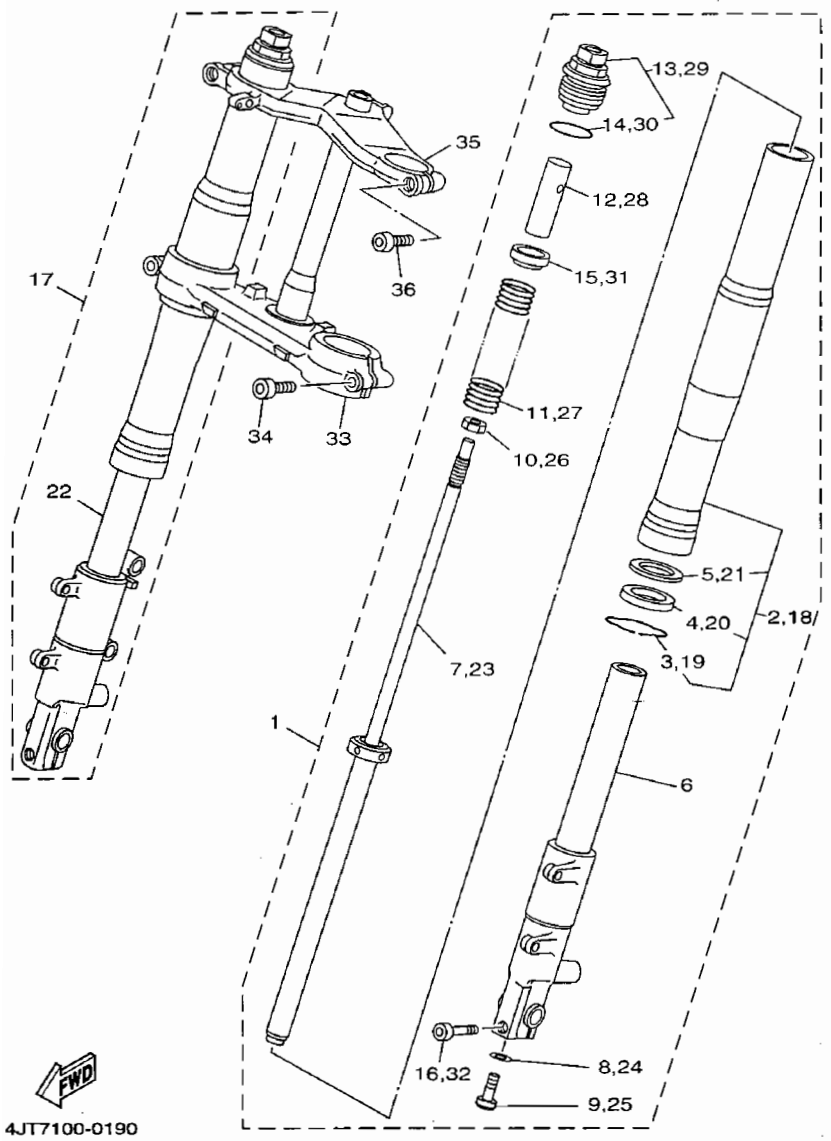
REF. NO.	PART NO.	DESCRIPTION	USA	EUR	OOE	JPN	REMARKS
1	4JT-22210-73	SHOCK ABSORBER ASSY, REAR	1	1	1	1	
2	4DP-22489-00	.ROD, PUSH	1	1	1	1	
3	93605-20204	.PIN, DOWEL	1	1	1	1	
4	4JT-22219-10	.BRACKET, UPPER	1	1	1	1	
5	93399-999T4	.BEARING	2	2	2	2	
6	93440-30113	.CIRCLIP	4	4	4	4	
7	1KH-22223-00	.SEAT, SPRING LOWER	1	1	1	1	
8	1RK-22215-00	.RING, COVER	1	1	1	1	
9	3AK-22493-00	.BUMP, STOP	1	1	1	1	
10	3YL-22253-00	.COLLAR, DISTANCE	2	2	2	2	
11	23X-22211-00	.COVER	2	2	2	2	
12	4JT-22253-41	.COLLAR, DISTANCE	2	2	2	2	
13	4DP-22211-00	.COVER	2	2	2	2	
14	4JT-22212-41	.SPRING	1	1	1	1	
15	22W-22214-01	.GUIDE, SPRING 1	1	1	1	1	
16	4AA-22259-00	.LABEL, WARNING	1				
	4AA-22259-40	.LABEL, WARNING		1	1		
	4AA-22259-50	.LABEL, WARNING				1	
17	90101-10709	BOLT	1	1	1	1	
18	95607-10200	NUT, SELF-LOCKING	1	1	1	1	
19	90201-127J6	WASHER, PLATE	1	1	1	1	
20	4JT-22219-00	BRACKET, UPPER	1	1	1	1	
21	4JT-22239-00	ADJUSTER	1	1	1	1	
22	1RK-22251-00	NUT 1	1	1	1	1	
23	91317-10016	BOLT	1	1	1	1	
24	3AK-22252-00	NUT	1	1	1	1	
25	90480-14153	GROMMET	1	1	1	1	

FIG. 18 STEERING



REF. NO.	PART NO.	DESCRIPTION	USA	EUR	OCE	JPN	REMARKS
1	93332-00001	BEARING	1	1	1	1	
2	93332-00079	BEARING	1	1	1	1	
3	90179-25615	NUT	1	1	1	1	
4	1J7-23415-00	COVER, BALL RACE 1	1	1	1	1	
5	1RK-22251-00	NUT 1	1	1	1	1	
6	90201-225A4	WASHER, PLATE (T=1.0)	1	1	1	1	
7	4JT-21552-00	FENDER, INNER	1	1	1	1	
8	98907-06010	SCREW, BIND	2	2	2	2	
9	4JT-23490-11	HANDLEBAR SHIMMY DAMPER ASSY	1	1	1	1	
10	92017-08025	BOLT, BUTTON HEAD	1	1	1	1	
11	90201-08455	WASHER, PLATE	2	2	2	2	
12	90468-16099	CLIP	1	1	1	1	
13	91701-08038	PIN, CLEVIS	1	1	1	1	
14	4JT-23495-00	STAY, DAMPER	1	1	1	1	
15	91317-06025	BOLT	1	1	1	1	


4JT4100-7180

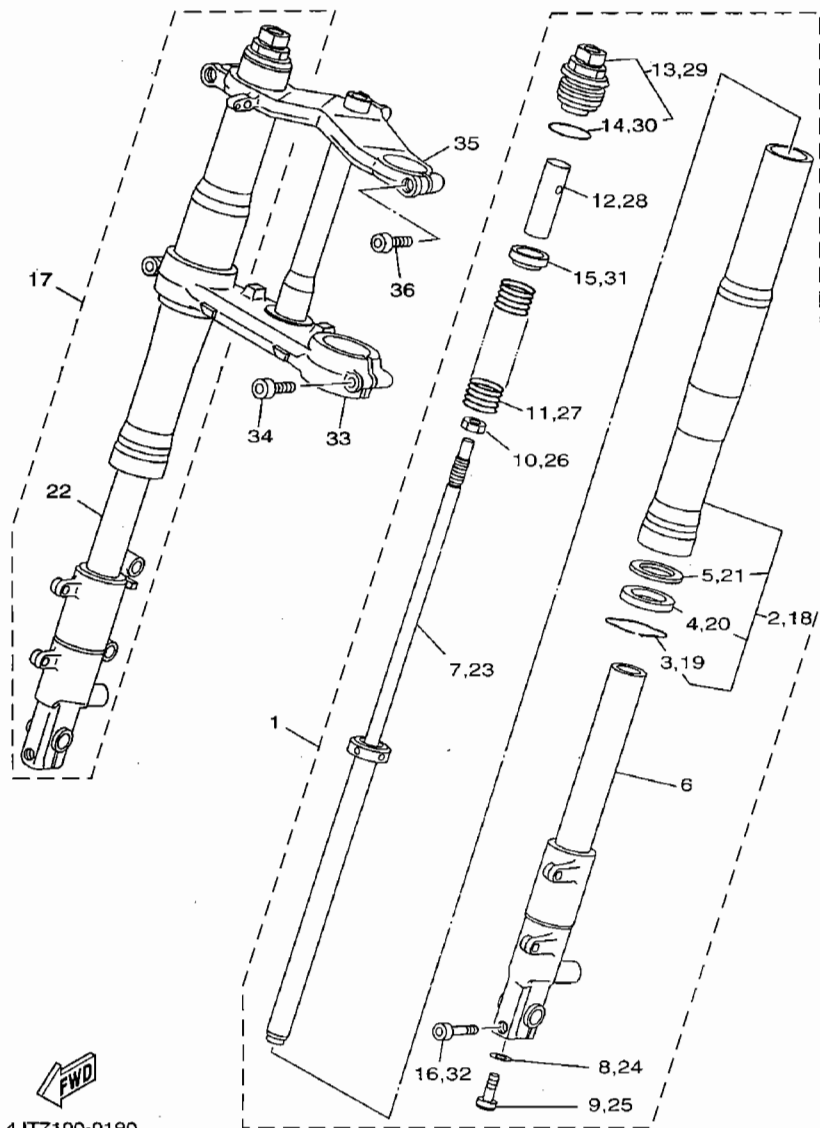


4JT7100-0190

FIG. 19 FRONT FORK

REF. NO.	PART NO.	DESCRIPTION	USA	EUR	OC	JPN	REMARKS
1	4JT-23102-40	FRONT FORK ASSY (L.H)	1	1	1	1	
2	4JT-23136-30	.TUBE, OUTER (RIGHT)	1	1	1	1	
3	4A1-23156-00	..CLIP, OIL SEAL	1	1	1	1	
4	4ES-23145-00	..OIL SEAL	1	1	1	1	
5	5K5-23149-00	..WASHER, SPRING UPPER	1	1	1	1	
6	4JT-23110-40	.INNER TUBE COMP.1	1	1	1	1	
7	4JT-23170-30	.CYLINDER COMP., FRONT FORK	1	1	1	1	
8	2K8-23158-L0	.GASKET	1	1	1	1	
9	3LC-23181-00	.BOLT, HEXAGON SOCKET HEAD	1	1	1	1	
10	4JT-23357-20	.NUT	1	1	1	1	
11	4JT-23141-10	.SPRING, FRONT FORK	1	1	1	1	
12	4JT-23118-40	.SPACER	1	1	1	1	
13	4JT-23111-40	.BOLT, CAP	1	1	1	1	
14	4V4-23188-L0	..O-RING	1	1	1	1	
15	4TW-23142-10	.SEAT, SPRING UPPER	1	1	1	1	
16	1WG-23128-00	.BOLT, AXLE HOLDER	1	1	1	1	
17	4JT-23103-40	FRONT FORK ASSY (R.H)	1	1	1	1	
18	4JT-23136-30	.TUBE, OUTER (RIGHT)	1	1	1	1	
19	4A1-23156-00	..CLIP, OIL SEAL	1	1	1	1	
20	4ES-23145-00	..OIL SEAL	1	1	1	1	
21	5K5-23149-00	..WASHER, SPRING UPPER	1	1	1	1	
22	4JT-23120-40	.INNER TUBE COMP.2	1	1	1	1	
23	4JT-23170-30	.CYLINDER COMP., FRONT FORK	1	1	1	1	
24	2K8-23158-L0	.GASKET	1	1	1	1	
25	3LC-23181-00	.BOLT, HEXAGON SOCKET HEAD	1	1	1	1	
26	4JT-23357-20	.NUT	1	1	1	1	
27	4JT-23141-10	.SPRING, FRONT FORK	1	1	1	1	

FIG. 19 FRONT FORK



REF. NO.	PART NO.	DESCRIPTION	USA	EUR	OCE	JPN	REMARKS
28	4JT-23118-40	.SPACER	1	1	1	1	
29	4JT-23111-40	.BOLT, CAP	1	1	1	1	
30	4V4-23188-L0	.O-RING	1	1	1	1	
31	4TW-23142-10	.SEAT, SPRING UPPER	1	1	1	1	
32	1WG-23128-00	.BOLT, AXLE HOLDER	1	1	1	1	
33	4JT-23340-30	UNDER BRACKET COMP.	1	1	1	1	
34	91311-10030	BOLT	2	2	2	2	
35	4JT-23435-30	CROWN, HANDLE	1	1	1	1	
36	91311-08030	BOLT	2	2	2	2	

4JT7100-0190

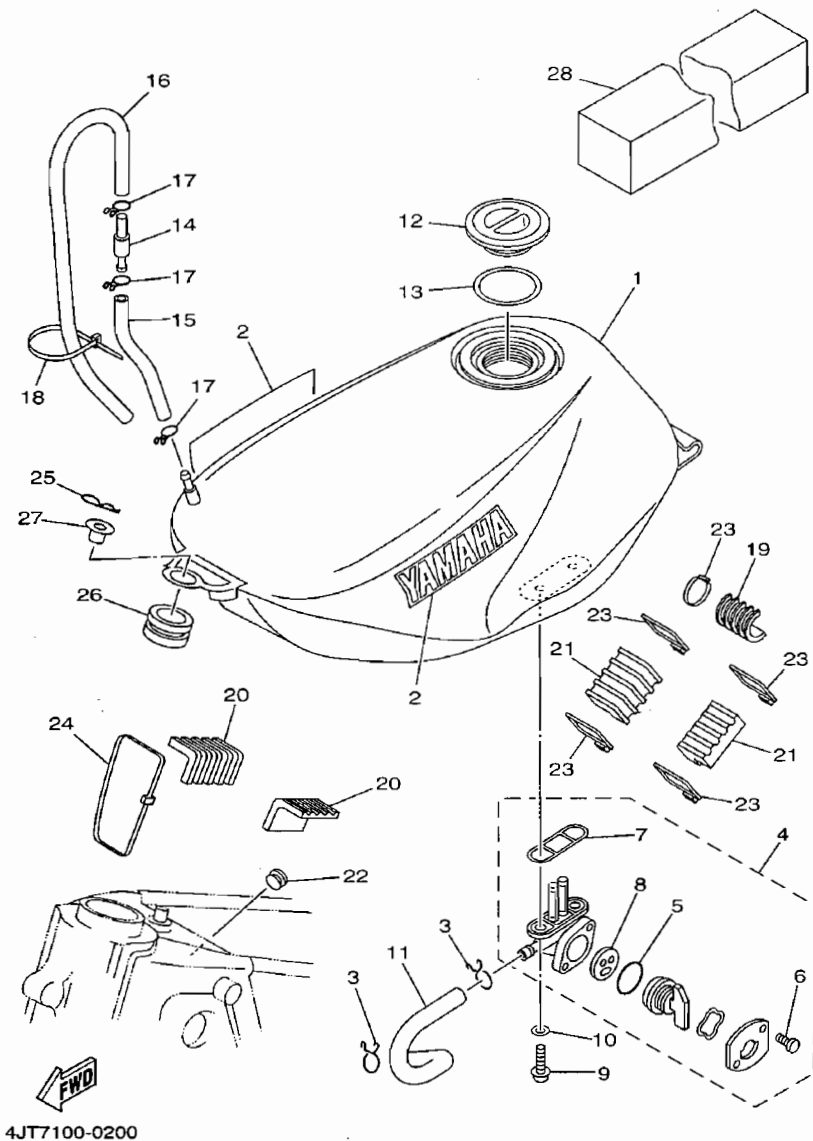
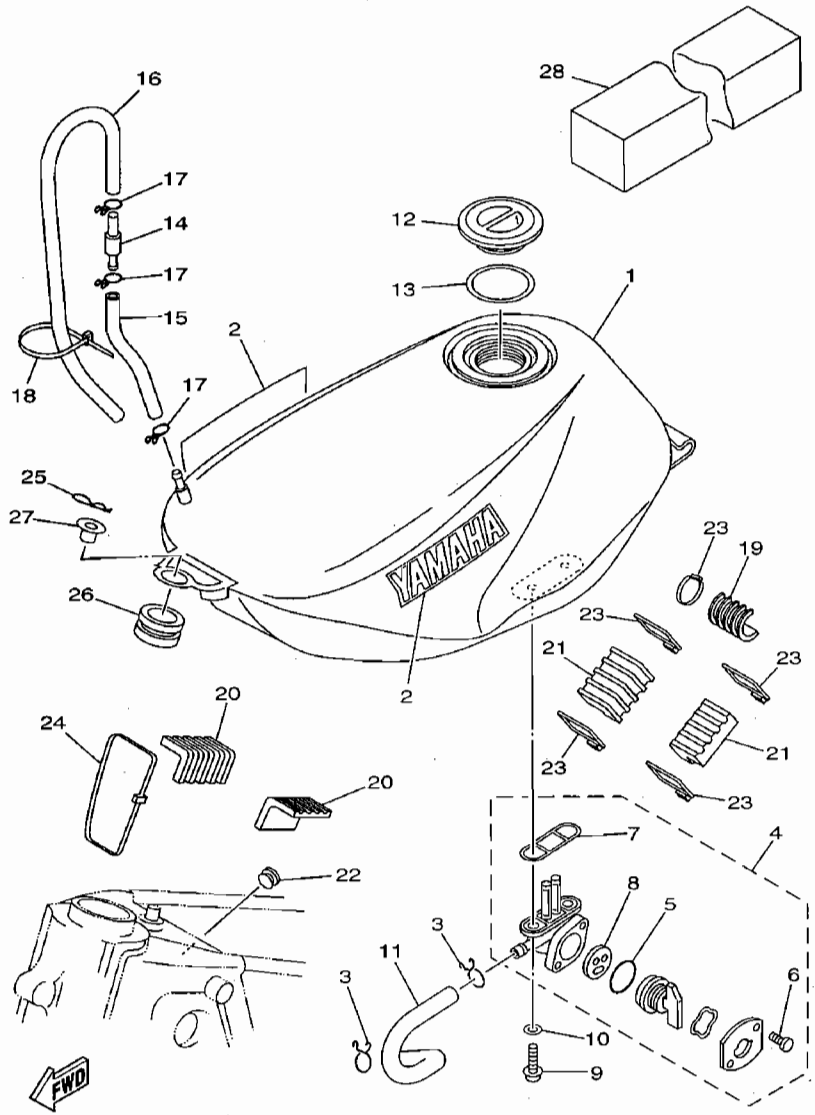


FIG. 20 FUEL TANK

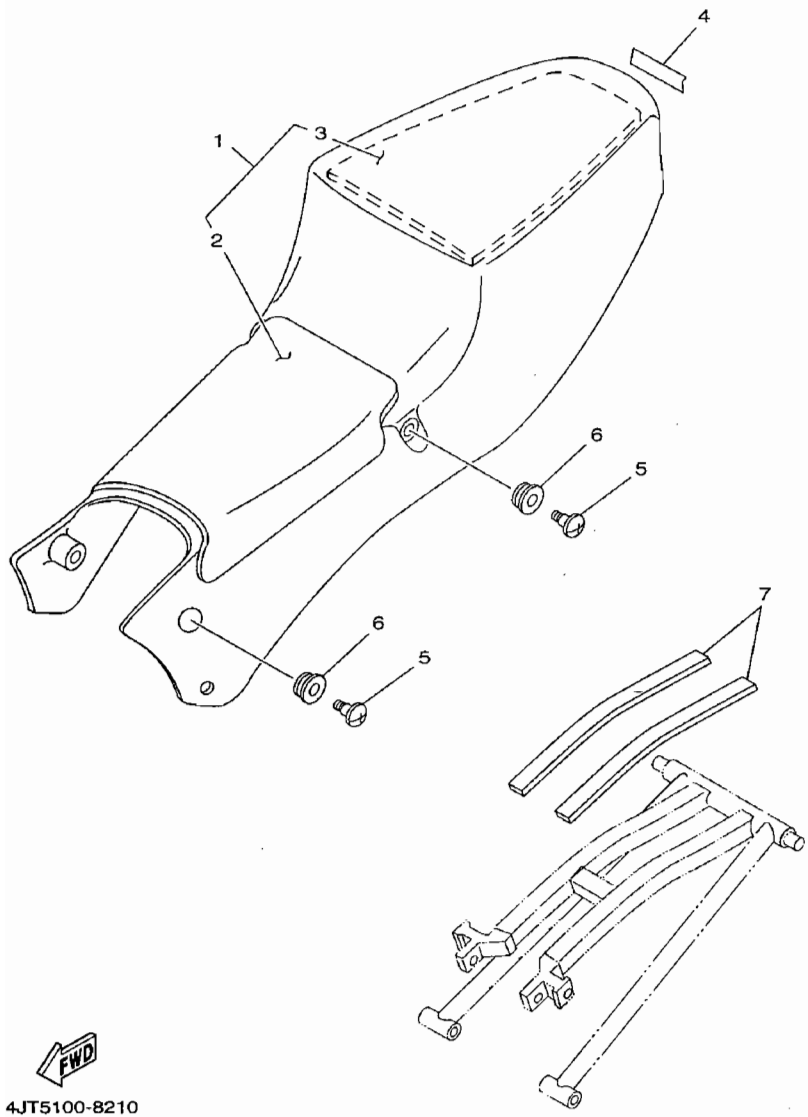
REF. NO.	PART NO.	DESCRIPTION	USA	EUR	OC	JPN	REMARKS
1	4JT-24110-10-36	FUEL TANK COMP.	1	1	1	1	W
2	5KE-2411B-00	EMBLEM	2	2	2	2	AP
3	90467-10008	CLIP	2	2	2	2	
4	4JT-24500-00	FUEL COCK ASSY 1	1	1	1	1	
5	3AJ-24534-00	.SEAL, COCK	1	1	1	1	
6	97801-03008	.SCREW, PAN HEAD	2	2	2	2	
7	4X8-24512-00	.O-RING	1	1	1	1	
8	3AJ-24523-00	.VALVE PACKING	1	1	1	1	
9	90149-06008	SCREW	2	2	2	2	
10	90202-05193	WASHER, PLATE	2	2	2	2	
11	4JT-24311-10	PIPE, FUEL 1	1	1	1	1	
12	4JT-24611-00	BODY, CAP	1	1	1	1	
13	4JT-24612-00	GASKET, CAP	1	1	1	1	
14	3XJ-24380-00	PIPE JOINT ASSY	1	1	1	1	
15	91A20-05020	TUBE, FLEXIBLE VINYL	1	1	1	1	
16	4JT-24318-00	PIPE, OVERFLOW	1	1	1	1	
17	90467-09006	CLIP	3	3	3	3	
18	90465-13152	CLAMP	1	1	1	1	
19	4JT-24182-00	DAMPER, LOCATING 2	1	1	1	1	
20	3LC-24182-00	DAMPER, LOCATING 2	2	2	2	2	
21	47X-24182-00	DAMPER, LOCATING 2	2	2	2	2	
22	583-21747-00	DAMPER	1	1	1	1	
23	90465-13152	CLAMP	5	5	5	5	
24	90464-15152	CLAMP	2	2	2	2	
25	4JT-2411M-00	CLIP	1	1	1	1	
26	90480-18418	GROMMET	1	1	1	1	
27	90387-083U8	COLLAR	1	1	1	1	

FIG. 20 FUEL TANK

REF. NO.	PART NO.	DESCRIPTION	USA	EUR	OCE	JPN	REMARKS
28	4JT-2411R-00	PLATE 1	1	1	1	1	AP



4JT7100-0200



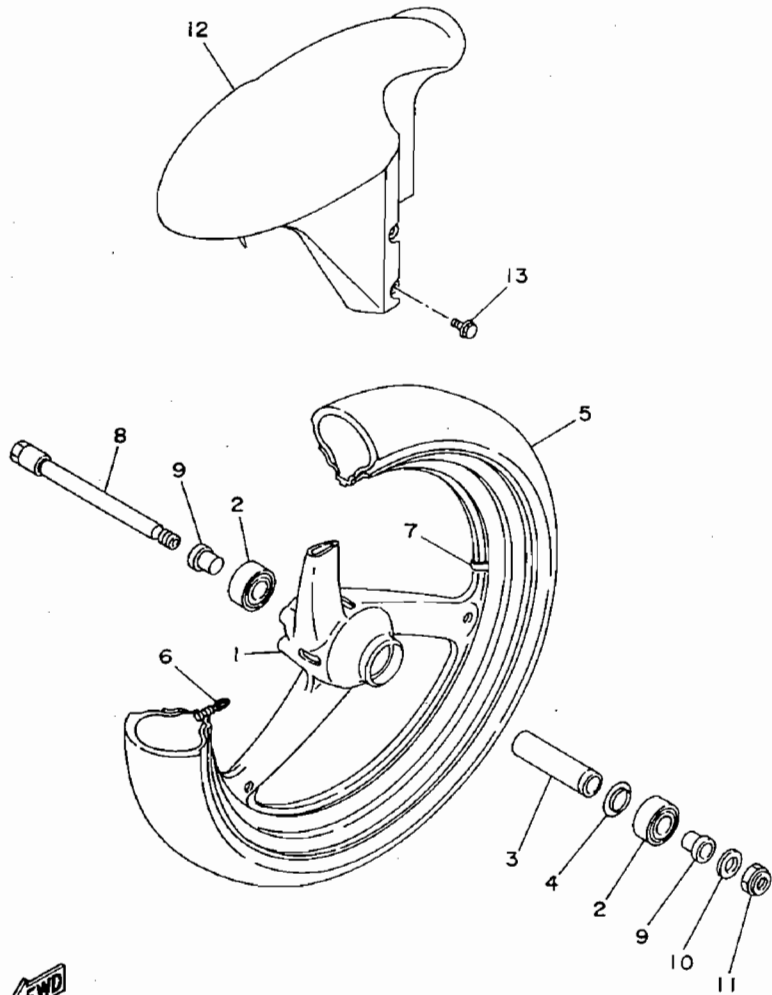
4JT5100-8210

FIG. 21 SEAT

REF. NO.	PART NO.	DESCRIPTION	USA	EUR	OCE	JPN	REMARKS
1	4JT-24710-40	SINGLE SEAT ASSY	1	1	1	1	
2	4JT-24713-20	.CUSHION	1	1	1	1	
3	4JT-24763-00	.PAD, SEAT 2	1	1	1	1	
4	99237-00080	EMBLEM, YAMAHA	1	1	1	1	AP
5	90150-06036	SCREW, ROUND HEAD	4	4	4	4	
6	90480-13197	GROMMET	4	4	4	4	
7	1KT-82122-00	SEAT, BATTERY	2	2	2	2	

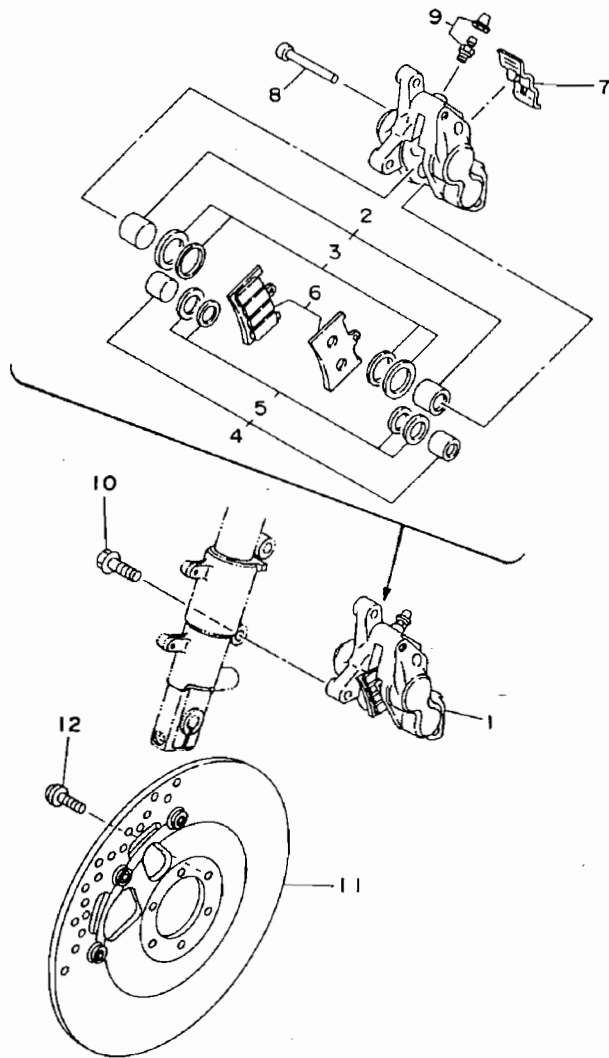
FIG. 22 FRONT WHEEL

REF. NO.	PART NO.	DESCRIPTION	USA	EUR	OCE	JPN	REMARKS
1	4JT-25168-01-UA	CAST WHEEL, FRONT	1	1	1	1	CWW
2	93306-00444	BEARING	2	2	2	2	
3	4JT-25117-00	SPACER, BEARING	1	1	1	1	
4	5Y9-25316-00	FLANGE, SPACER 2	1	1	1	1	
5	94109-17008	TIRE	1	1	1	1	
6	93900-00031	VALVE, RIM	1	1	1	1	
7	29L-25398-00	BALANCER, WHEEL (10G)	1	1	1	1	UN
	29L-25398-10	BALANCER, WHEEL (20G)	1	1	1	1	UN
	29L-25398-20	BALANCER, WHEEL (30G)	1	1	1	1	UN
8	4JT-25181-00	AXLE, WHEEL	1	1	1	1	
9	4JT-25183-00	COLLAR, WHEEL	2	2	2	2	
10	92990-14600	WASHER	1	1	1	1	
11	95617-14100	NUT, U	1	1	1	1	
12	4JT-21510-10	FRONT FENDER COMP.	1	1	1	1	
13	95027-06014	BOLT, FLANGE	4	4	4	4	



4JT1100-4220

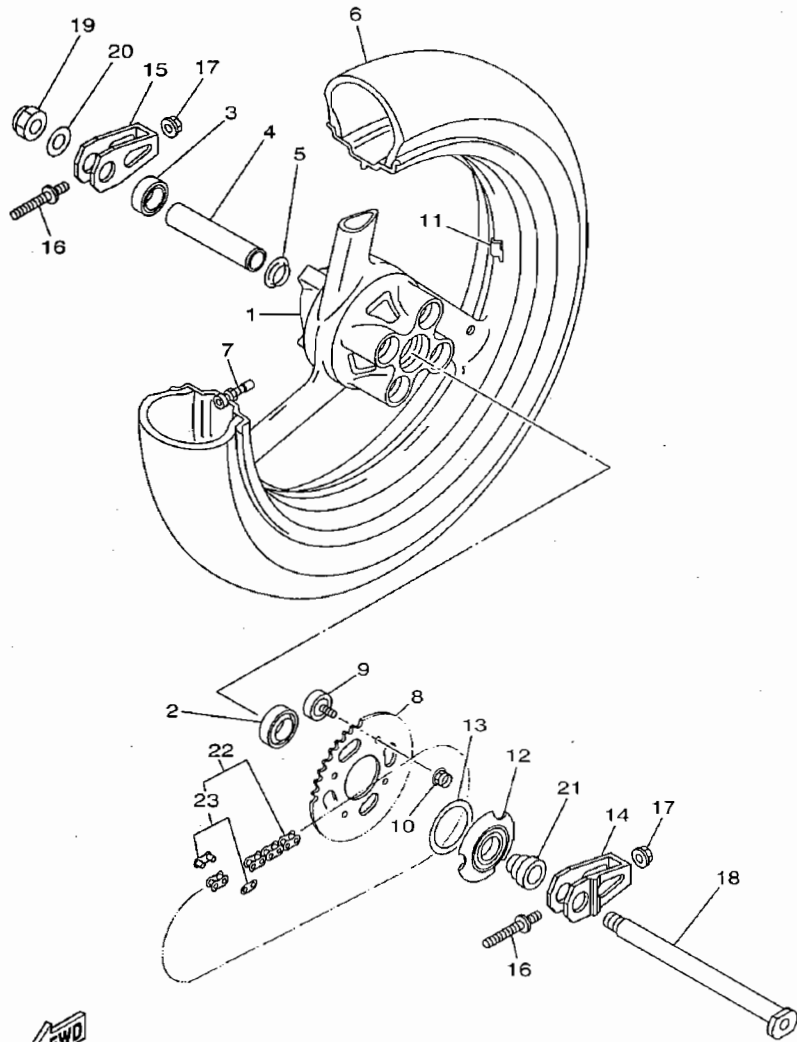
FIG. 23 FRONT BRAKE CALIPER



REF. NO.	PART NO.	DESCRIPTION	USA	EUR	OCE	JPN	REMARKS
1	4TW-2580U-10	CALIPER ASSY (RIGHT)	1	1	1	1	
2	4TW-W0057-00	.PISTON ASSY, CALIPER	1	1	1	1	
3	4TW-W0047-00	..CALIPER SEAL KIT	1	1	1	1	
4	4TW-W0057-10	.PISTON ASSY, CALIPER	1	1	1	1	
5	4TW-W0047-10	..CALIPER SEAL KIT	1	1	1	1	
6	4TW-W0045-10	.BRAKE PAD KIT	1	1	1	1	
7	3FV-25919-00	.SUPPORT, PAD	1	1	1	1	
8	3FV-25924-00	.PIN, PAD	1	1	1	1	
9	1UY-W0048-50	.BLEED SCREW KIT	1	1	1	1	
10	90105-105A7	BOLT, WASHER BASED	2	2	2	2	
11	4JT-2581T-00	DISC BRAKE ASSY	1	1	1	1	
12	90109-08718	BOLT	6	6	6	6	

 4JT3100-6230

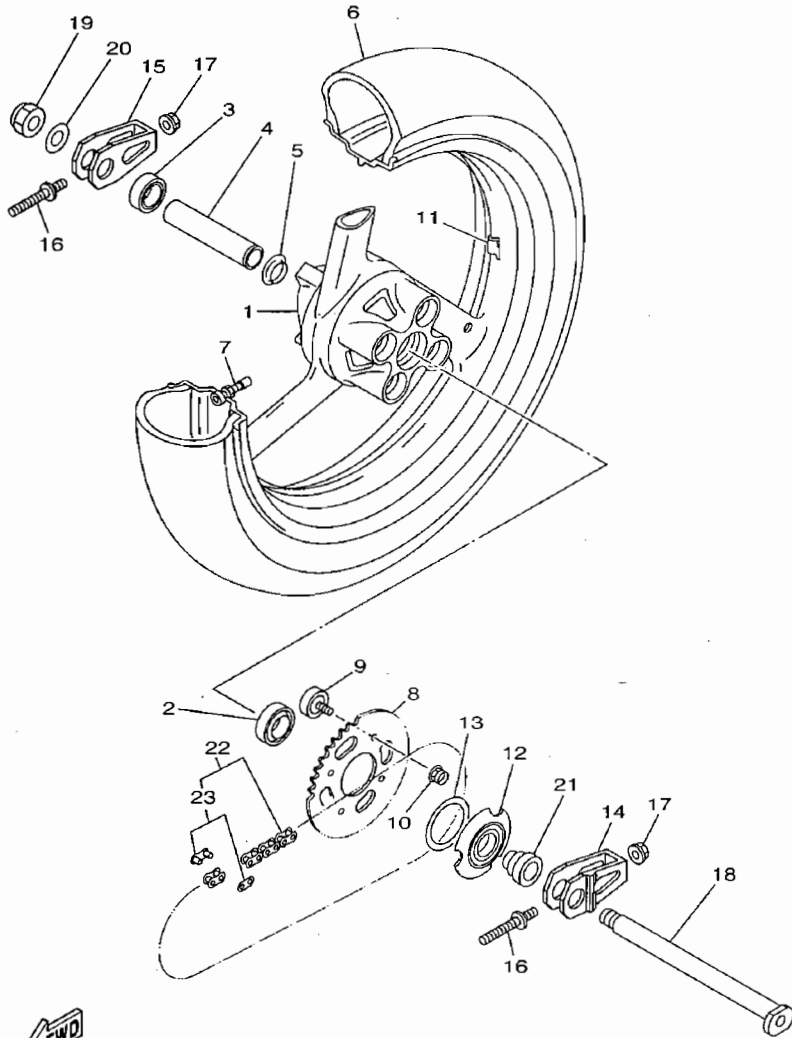
FIG. 24 REAR WHEEL



REF. NO.	PART NO.	DESCRIPTION	USA	EUR	OC	JPN	REMARKS
1	4JT-25338-01-UA	CAST WHEEL, REAR	1	1	1	1	CWW
2	93306-07205	BEARING	1	1	1	1	
3	93306-00444	BEARING	1	1	1	1	
4	4JT-25317-00	SPACER, BEARING	1	1	1	1	
5	5Y9-25316-00	FLANGE, SPACER 2	1	1	1	1	
6	94112-1716H	TIRE (125/55-R17 KR133)	1	1	1	1	DUNLOP
7	93900-00031	VALVE, RIM	1	1	1	1	
8	4JT-25436-20	SPROCKET, DRIVEN (36T)	1	1	1	1	STD
	4JT-25435-20	SPROCKET, DRIVEN (35T)	1	1	1	1	UR
	4JT-25437-20	SPROCKET, DRIVEN (37T)	1	1	1	1	UR
	4JT-25438-20	SPROCKET, DRIVEN (38T)	1	1	1	1	UR
	4JT-25439-20	SPROCKET, DRIVEN (39T)	1	1	1	1	UR
9	3YL-25364-00	DAMPER	4	4	4	4	
10	90185-08097	NUT, SELF-LOCKING	4	4	4	4	
11	29L-25398-00	BALANCER, WHEEL (10G)	1	1	1	1	UN
	29L-25398-10	BALANCER, WHEEL (20G)	1	1	1	1	UN
	29L-25398-20	BALANCER, WHEEL (30G)	1	1	1	1	UN
12	4JT-25360-10	CLUTCH ASSY	1	1	1	1	
13	90201-537R1	WASHER, PLATE	1	1	1	1	
14	4JT-25388-00	PULLER, CHAIN 1	1	1	1	1	
15	4JT-25389-00	PULLER, CHAIN 2	1	1	1	1	
16	4DP-25379-00	BOLT, CHAIN PULLAR	2	2	2	2	
17	90185-08097	NUT, SELF-LOCKING	2	2	2	2	
18	4JT-25381-00	AXLE, WHEEL	1	1	1	1	
19	90185-18104	NUT, SELF-LOCKING	1	1	1	1	
20	90201-18262	WASHER, PLATE	1	1	1	1	
21	4JT-25376-00	COLLAR, WHEEL	1	1	1	1	

FWD
4JT7100-0240

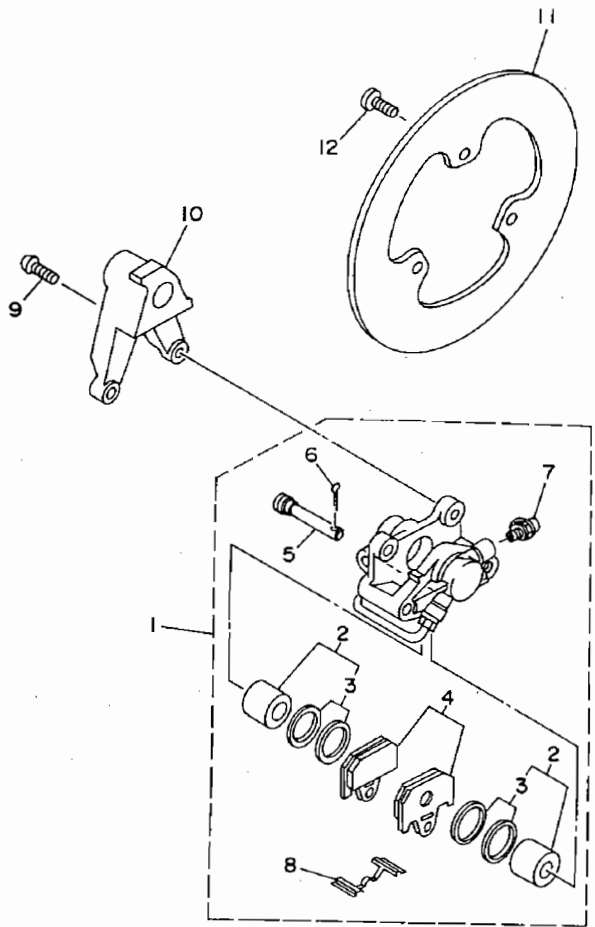
FIG. 24 REAR WHEEL




4JT7100-0240

REF. NO.	PART NO.	DESCRIPTION	USA	EUR	OCE	JPN	REMARKS
22	94571-44120	CHAIN (RK415HRU-120L)	1	1	1	1	STD
	94571-44118	CHAIN (RK415HRU-118L)	1	1	1	1	AP
23	94671-44011	JOINT, CHAIN	1	1	1	1	

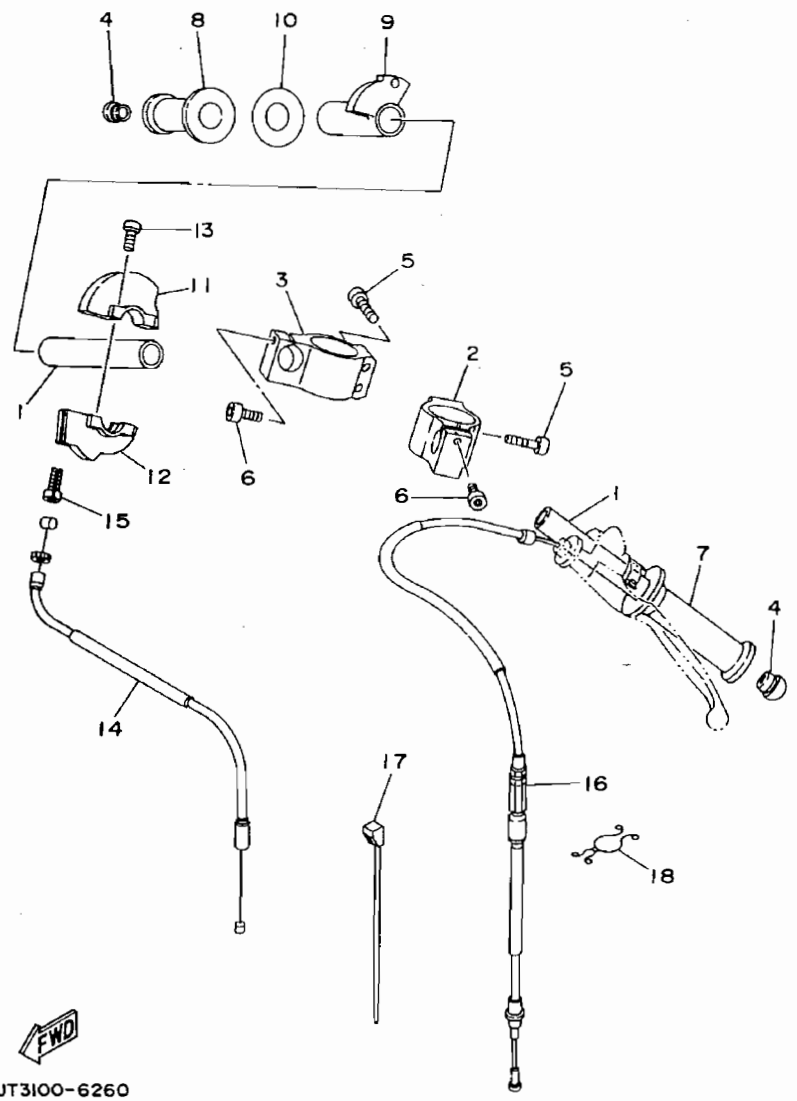
FIG. 25 REAR BRAKE CALIPER



REF. NO.	PART NO.	DESCRIPTION	USA	EUR	OOE	JPN	REMARKS
1	4TW-2580W-01	CALIPER ASSY, REAR 2	1	1	1	1	
2	4DP-W0057-00	.PISTON ASSY, CALIPER	1	1	1	1	
3	3LC-W0047-50	..CALIPER SEAL KIT	1	1	1	1	
4	4TW-W0046-00	.BRAKE PAD KIT 2	1	1	1	1	
5	4JT-25924-00	.PIN, PAD	1	1	1	1	
6	91401-16012	.PIN, COTTER	1	1	1	1	
7	1UY-W0048-50	.BLEED SCREW KIT	1	1	1	1	
8	5KE-25919-50	.SUPPORT, PAD	1	1	1	1	
9	92017-08020	BOLT, BUTTON HEAD	2	2	2	2	
10	4JT-25819-00	BRACKET, CALIPER	1	1	1	1	
11	4TW-2582W-00	DISC, REAR BRAKE 2	1	1	1	1	
12	90110-08193	BOLT, HEXAGON SOCKET HEAD	3	3	3	3	

FWD
4JT2100-5250

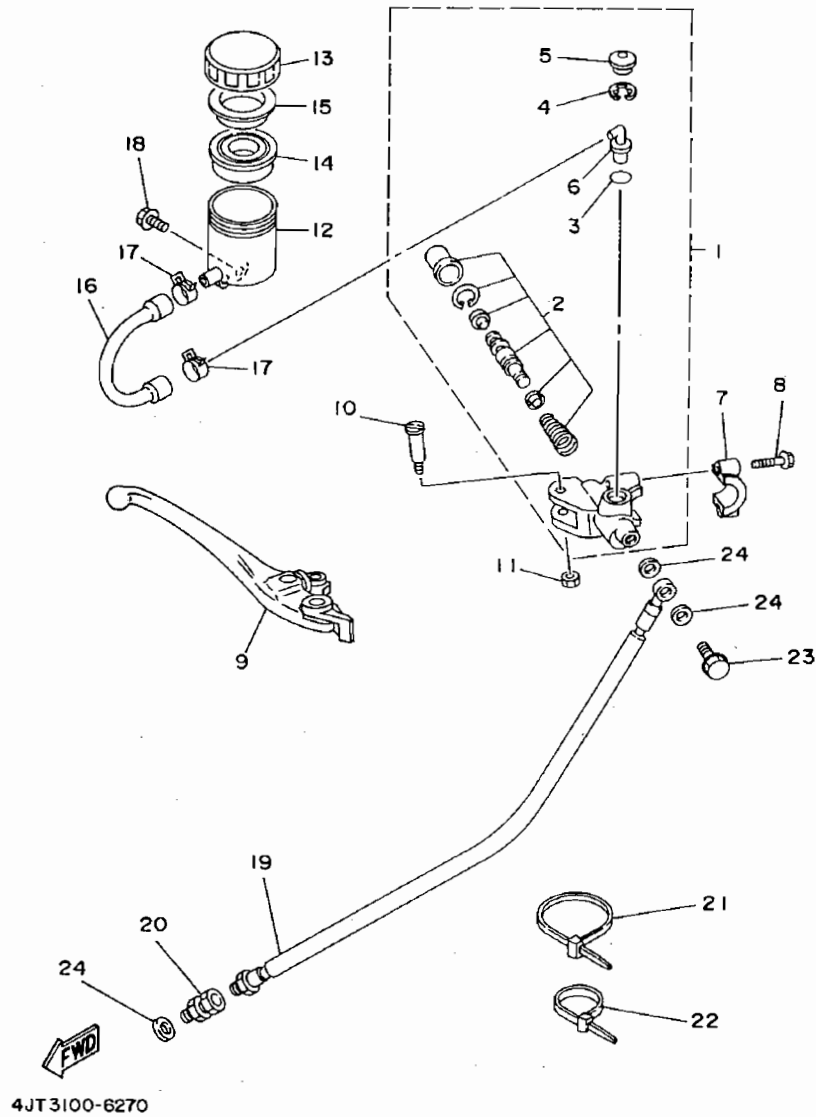
FIG. 26 STEERING HANDLE. CABLE



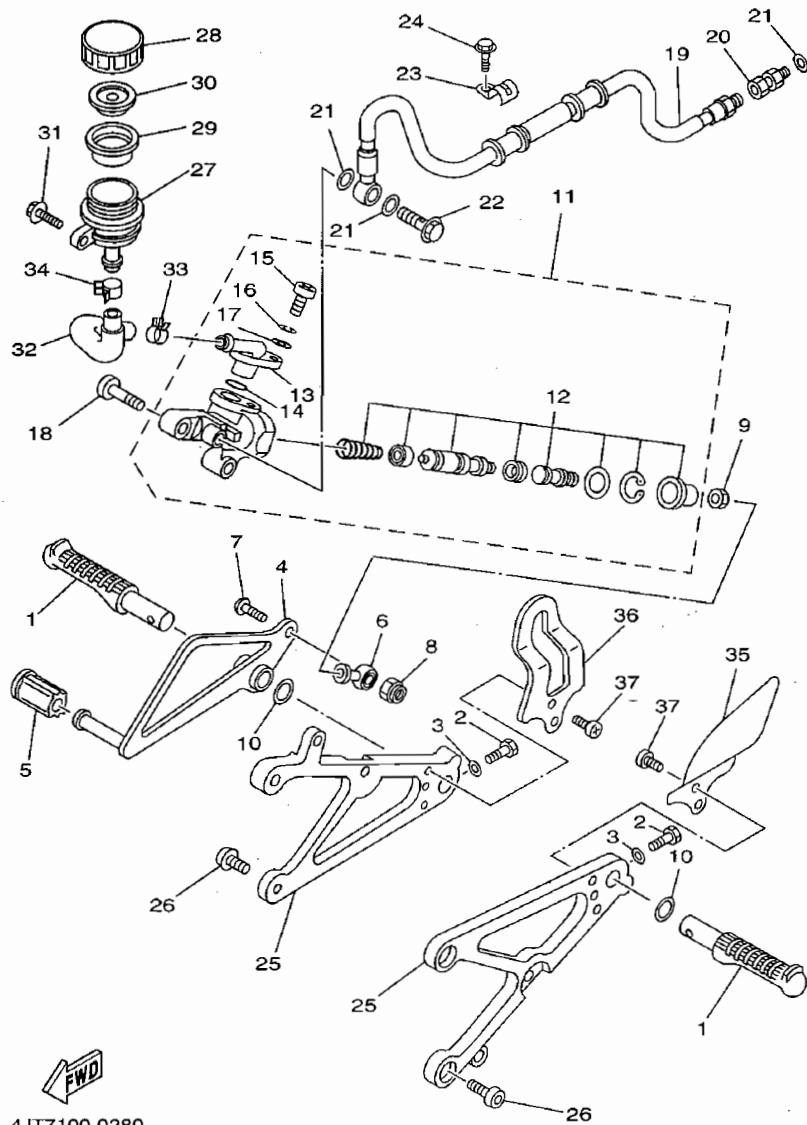
4JT3100-6260

REF. NO.	PART NO.	DESCRIPTION	USA	EUR	OCE	JPN	REMARKS
1	4JT-26112-00	BAR, HANDLE	2	2	2	2	
2	4JT-26223-10	BRACKET, HANDLE 1	1	1	1	1	
3	4JT-26224-10	BRACKET, HANDLE 2	1	1	1	1	
4	4JT-26246-00	END, GRIP	2	2	2	2	
5	91317-06025	BOLT	4	4	4	4	
6	90109-065F8	BOLT	2	2	2	2	
7	47X-26241-00	GRIP (LEFT)	1	1	1	1	
8	47X-26242-00	GRIP (RIGHT)	1	1	1	1	
9	3YL-26243-00	TUBE, THROTTLE GUIDE	1	1	1	1	
10	3Y1-26249-00	RING, LEAF	1	1	1	1	
11	3YL-26281-01	CAP, GRIP UPPER	1	1	1	1	
12	3YL-26282-00	CAP, GRIP LOWER	1	1	1	1	
13	91317-05020	BOLT	2	2	2	2	
14	4JT-26311-01	CABLE, THROTTLE 1	1	1	1	1	
15	90123-06007	BOLT	1	1	1	1	
16	4JT-26335-00	CABLE, CLUTCH	1	1	1	1	
17	90465-13275	CLAMP	1	1	1	1	
18	90464-26114	CLAMP	1	1	1	1	

FIG. 27 FRONT MASTER CYLINDER



REF. NO.	PART NO.	DESCRIPTION	USA	EUR	OCE	JPN	REMARKS
1	4JT-W2587-10	MASTER CYLINDER SUB ASSY	1	1	1	1	
2	4JT-W0041-10	.CYLINDER KIT, MASTER	1	1	1	1	
3	93210-15620	.O-RING	1	1	1	1	
4	2VN-25866-00	.CIRCLIP	1	1	1	1	
5	3FV-2589A-00	.COVER, DUST	1	1	1	1	
6	2VN-2582A-50	.JOINT	1	1	1	1	
7	56A-25867-00	BRACKET, MASTER CYLINDER	1	1	1	1	
8	95026-06025	BOLT, FLANGE	2	2	2	2	
9	4JT-83922-00	LEVER 2	1	1	1	1	
10	3FV-2589F-00	BOLT, LEVER	1	1	1	1	
11	95606-06100	NUT, U	1	1	1	1	
12	3FV-25894-00	TANK, RESERVOIR	1	1	1	1	
13	3FV-25852-00	CAP, RESERVOIR	1	1	1	1	
14	3FV-25854-00	DIAPHRAGM, RESERVOIR	1	1	1	1	
15	2J2-25855-50	BUSH, DIAPHRAGM	1	1	1	1	
16	3YL-2582F-00	HOSE	1	1	1	1	
17	3PA-24356-00	CLIP, PIPE 1	2	2	2	2	
18	95027-06014	BOLT, FLANGE	1	1	1	1	
19	4DP-25873-01	HOSE, BRAKE 2	1	1	1	1	
20	3LC-25885-00	JOINT	1	1	1	1	
21	90465-13275	CLAMP	1	1	1	1	
22	90465-13152	CLAMP	1	1	1	1	
23	90401-10159	BOLT, UNION	1	1	1	1	
24	90201-10118	WASHER, PLATE	3	3	3	3	

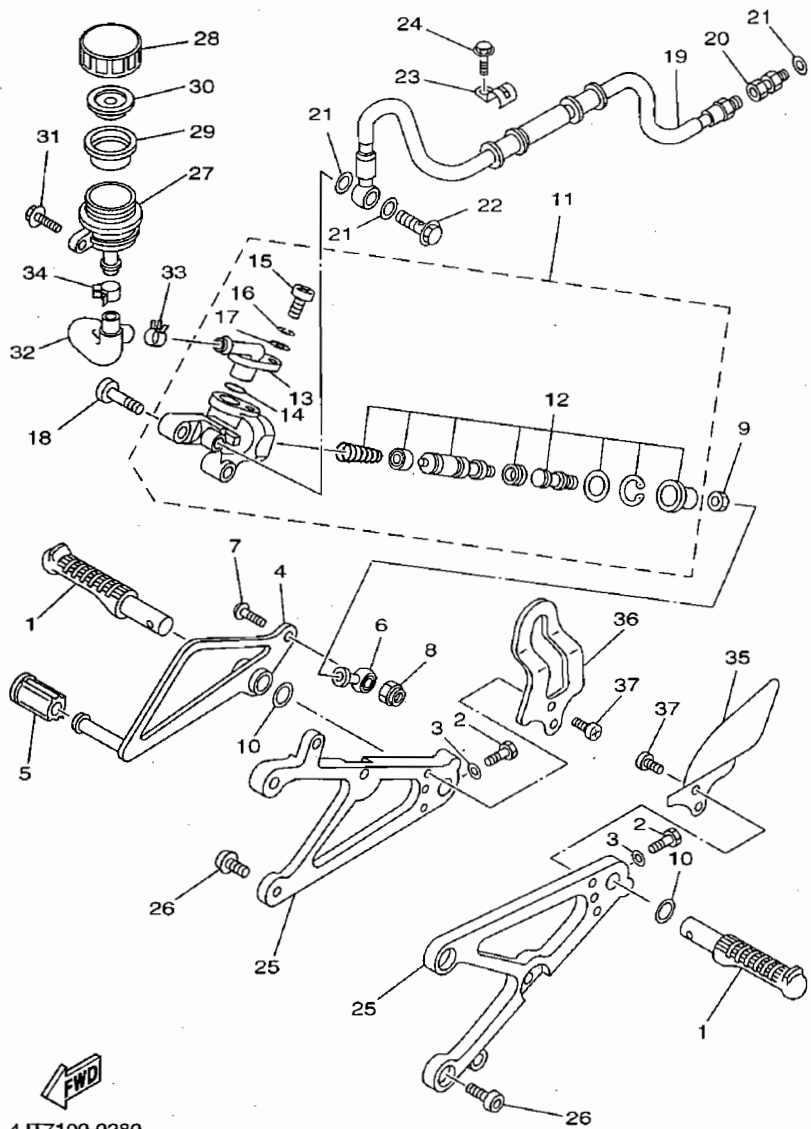


4JT7100-0280

FIG. 28 STAND. FOOTREST

REF. NO.	PART NO.	DESCRIPTION	USA	EUR	OCE	JPN	REMARKS
1	4JT-27411-20	FOOTREST 1	2	2	2	2	
2	97007-06020	BOLT	2	2	2	2	
3	92907-06600	WASHER, PLATE	2	2	2	2	
4	5KE-27211-00	PEDAL, BRAKE	1	1	1	1	
5	4A0-18113-00	COVER, SHIFT PEDAL	1	1	1	1	
6	3YL-27222-00	JOINT	1	1	1	1	
7	92017-06020	BOLT, BUTTON HEAD	1	1	1	1	
8	95607-06100	NUT, U	1	1	1	1	
9	95307-06600	NUT	1	1	1	1	
10	90201-14212	WASHER, PLATE	1	1	1	1	
11	3YL-2583V-00	RR. MASTER CYLINDER ASSY.	1	1	1	1	
12	3YL-W0042-50	.CYLINDER KIT, MASTER	1	1	1	1	
13	36Y-2582A-50	.JOINT	1	1	1	1	
14	93210-15620	.O-RING	1	1	1	1	
15	98511-04012	.SCREW, PAN HEAD	1	1	1	1	
16	92902-04100	.WASHER, SPRING	1	1	1	1	
17	92901-04600	.WASHER, PLATE	1	1	1	1	
18	92017-08025	BOLT, BUTTON HEAD	2	2	2	2	
19	4JT-25874-10	HOSE, BRAKE	1	1	1	1	
20	3LC-25885-00	JOINT	1	1	1	1	
21	90201-10118	WASHER, PLATE	3	3	3	3	
22	90401-10159	BOLT, UNION	1	1	1	1	
23	3XV-25876-00	HOLDER, BRAKE HOSE 2	2	2	2	2	
24	95027-06016	BOLT, FLANGE	2	2	2	2	
25	4JT-27412-20	BRACKET, FOOTREST 1	2	2	2	2	
26	92017-08020	BOLT, BUTTON HEAD	4	4	4	4	
27	2VN-25894-00	TANK, RESERVOIR	1	1	1	1	

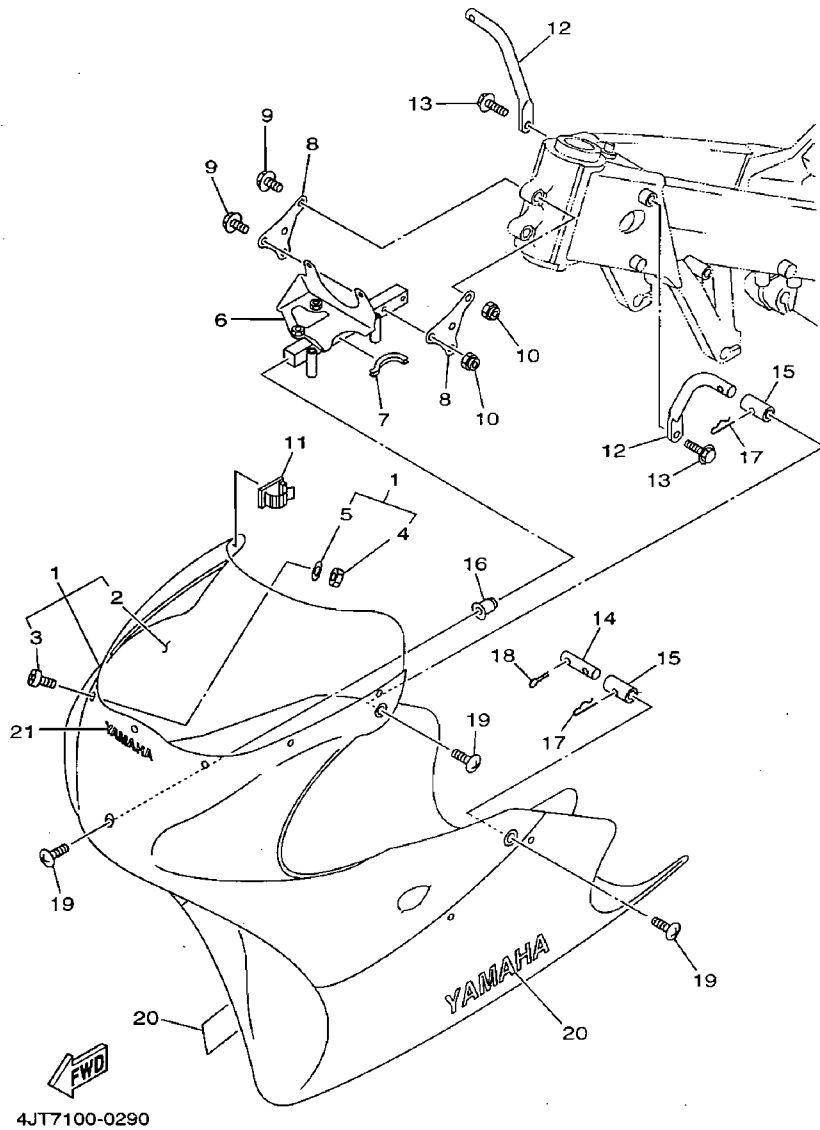
FIG. 28 STAND. FOOTREST



4JT7100-0280

REF. NO.	PART NO.	DESCRIPTION	USA	EUR	OCF	JPN	REMARKS
28	3XP-25852-50	CAP, RESERVOIR	1	1	1	1	
29	2VN-25854-00	DIAPHRAGM, RESERVOIR	1	1	1	1	
30	2VN-25855-00	BUSH, DIAPHRAGM	1	1	1	1	
31	90109-065G4	BOLT	1	1	1	1	
32	4JT-25895-10	HOSE, RESERVOIR	1	1	1	1	
33	90467-14057	CLIP	1	1	1	1	
34	90467-11044	CLIP	1	1	1	1	
35	4TW-27445-00	PLATE 1	1	1	1	1	
36	4JT-27445-00	PLATE 1	1	1	1	1	
37	90154-05064	SCREW, BINDING	4	4	4	4	

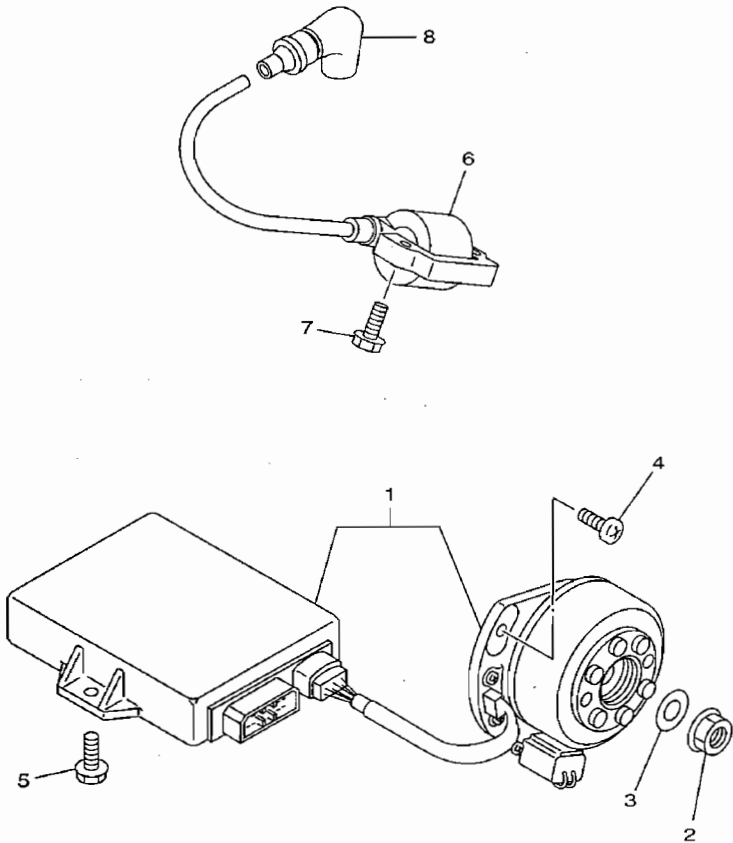
FIG. 29 COWLING 1



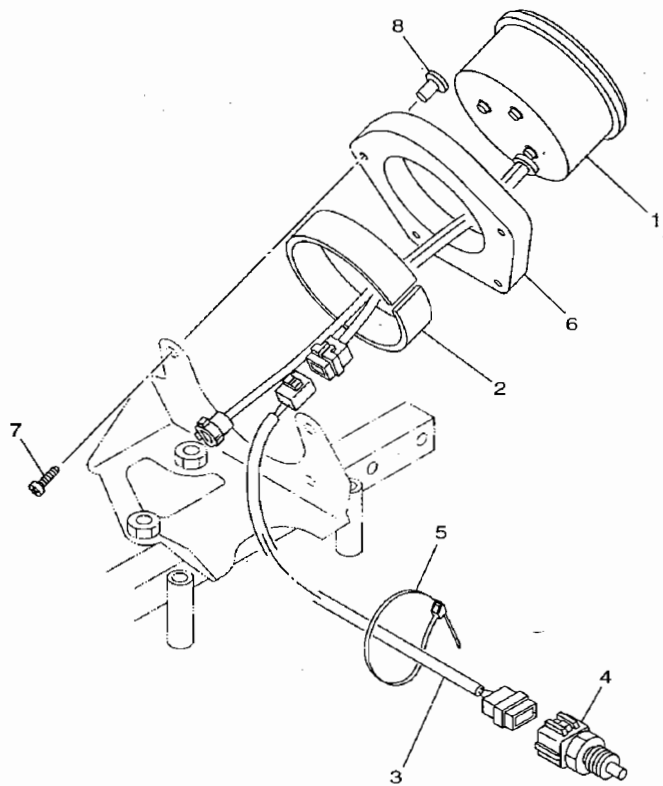
REF. NO.	PART NO.	DESCRIPTION	USA	EUR	OOE	JPN	REMARKS
1	4JT-28350-24	COWLING ASSY	1	1	1	1	
2	4JT-28381-20	.WINDSHIELD	1	1	1	1	
3	98907-04010	.SCREW, BIND	7	7	7	7	
4	95607-04100	.NUT, U	7	7	7	7	
5	92907-04200	.WASHER	7	7	7	7	
6	4JT-28356-11	STAY 1	1	1	1	1	
7	5KE-28345-00	MOLE 1	1	1	1	1	
8	4JT-2836A-00	BRACKET 1	2	2	2	2	
9	95027-06030	BOLT, FLANGE	4	4	4	4	
10	95617-06100	NUT, U	4	4	4	4	
11	90464-25160	CLAMP	1	1	1	1	
12	4JT-28321-00	STAY 1	2	2	2	2	
13	95027-06014	BOLT, FLANGE	2	2	2	2	
14	3YL-28358-00	STAY 3	2	2	2	2	
15	4A0-28364-00	NUT	4	4	4	4	
16	4JT-28362-00	NUT	1	1	1	1	
17	4DP-28334-00	CLIP, COWLING	4	4	4	4	
18	91401-25025	PIN, COTTER	2	2	2	2	
19	90150-06021	SCREW, ROUND HEAD	5	5	5	5	
20	99237-00280	EMBLEM, YAMAHA	2	2	2	2	AP
21	99237-00100	EMBLEM, YAMAHA	1	1	1	1	AP

FIG. 30 GENERATOR

REF. NO.	PART NO.	DESCRIPTION	USA	EUR	OCE	JPN	REMARKS
1	4JT-85501-60	C.D.I. MAGNETO SET	1	1	1	1	
2	90179-12248	NUT	1	1	1	1	
3	90201-127E1	WASHER, PLATE	1	1	1	1	
4	90149-06184	SCREW	2	2	2	2	
5	95027-06020	BOLT, FLANGE	2	2	2	2	
6	4DP-82310-00	IGNITION COIL ASSY	1	1	1	1	
7	95027-06020	BOLT, FLANGE	2	2	2	2	
8	4PE-82370-10	PLUG CAP ASSY	1	1	1	1	



4JT7100-0300

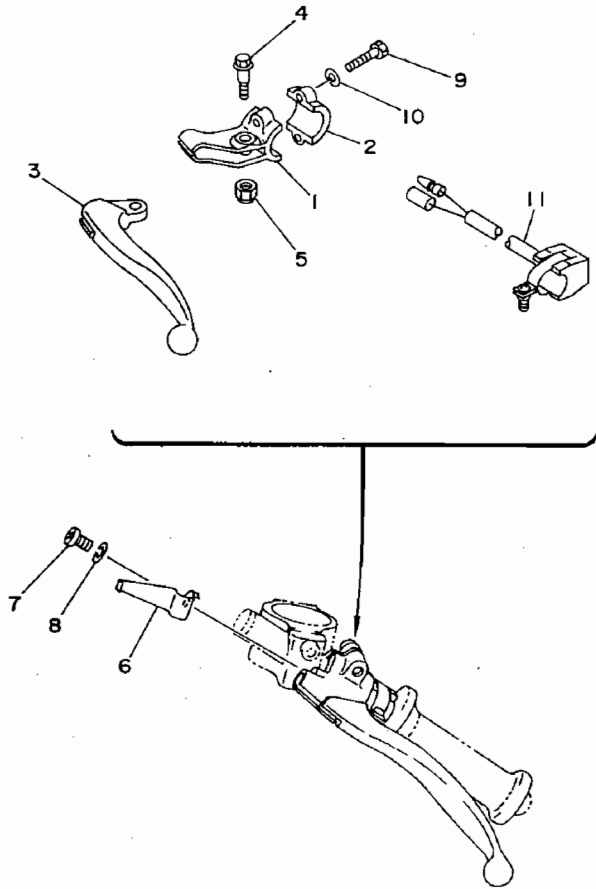


4JT7100-0310

FIG. 31 METER

REF. NO.	PART NO.	DESCRIPTION	USA	EUR	OCE	JPN	REMARKS
1	5KE-83540-00	TACHOMETER ASSY	1	1	1	1	
2	4A0-83541-00	DAMPER	1	1	1	1	
3	4JT-83553-00	WIRE, LEAD	1	1	1	1	
4	5KE-83591-00	THERMO UNIT	1	1	1	1	
5	90465-13275	CLAMP	1	1	1	1	
6	5KE-83611-00	PANEL, METER	1	1	1	1	
7	97780-40110	SCREW, TAPPING	4	4	4	4	
8	4A0-83522-00	COLLAR	4	4	4	4	

FIG. 32 HANDLE SWITCH. LEVER

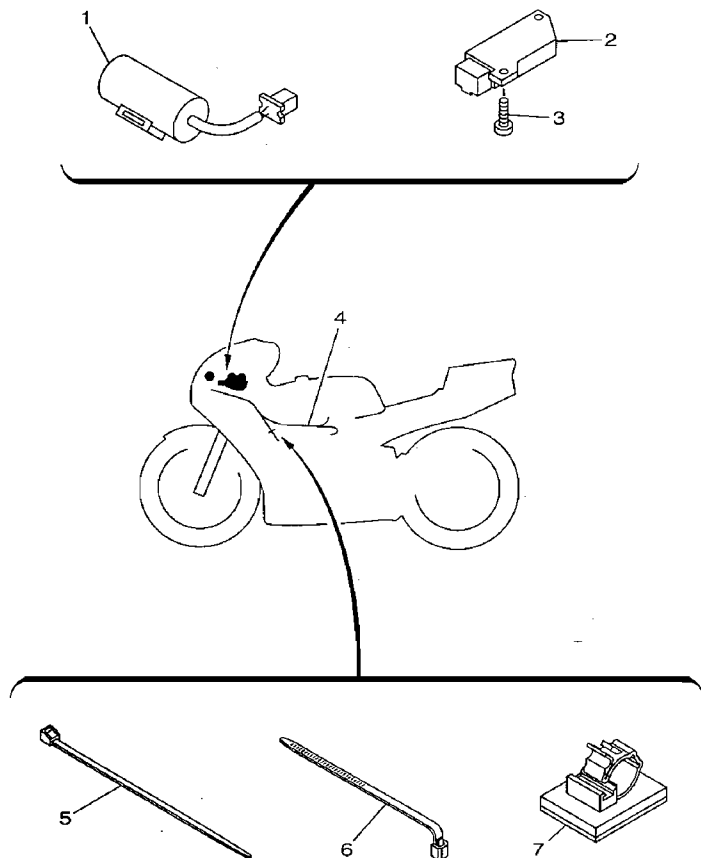


REF. NO.	PART NO.	DESCRIPTION	USA	EUR	OCE	JPN	REMARKS
1	5F6-82911-00	HOLDER, LEVER 1	1	1	1	1	
2	4V4-82913-00	HOLDER, LEVER LOWER 1	1	1	1	1	
3	214-83912-00	LEVER 1	1	1	1	1	
4	90109-06799	BOLT	1	1	1	1	
5	95607-06100	NUT, U	1	1	1	1	
6	5F6-26368-00	SPRING, LOCK	1	1	1	1	
7	98507-05008	SCREW, PAN HEAD	1	1	1	1	
8	92907-05100	WASHER, SPRING	1	1	1	1	
9	97007-05020	BOLT	2	2	2	2	
10	92907-05100	WASHER, SPRING	2	2	2	2	
11	3LC-83976-00	SWITCH, HANDLE 1	1	1	1	1	



4JT1100-4320

FIG. 33 ELECTRICAL 1




4JT7100-0330

REF. NO.	PART NO.	DESCRIPTION	USA	EUR	OCE	JPN	REMARKS
1	3TC-81965-00	CONDENSER, SMOOTHING	1	1	1	1	
2	1JK-81960-A1	RECTIFIER & REGULATOR ASSY	1	1	1	1	
3	98507-06020	SCREW, PAN HEAD	2	2	2	2	
4	4JT-82590-10	WIRE HARNESS ASSY	1	1	1	1	
5	90465-13275	CLAMP	4	4	4	4	
6	90464-15195	CLAMP	1	1	1	1	
7	90464-62085	CLAMP	1	1	1	1	

部品番号索引表 (中 5 桁順)

PARTNO.	GRID NO.	PARTNO.	GRID NO.	PARTNO.	GRID NO.	PARTNO.	GRID NO.	PARTNO.	GRID NO.	PARTNO.	GRID NO.
4JT-W0041-10	D-9	3XV-13421-00	B-7	4MX-14943-41	B-10	1W1-16358-01	B-15	4JT-21110-33	C-7	4JT-23110-40	C-12
3YL-W0042-50	D-10	4JT-13555-20	B-8	4MX-14943-42	B-10	4JT-16371-00	B-15	4JT-21117-00	C-7	4JT-23111-40	C-12
4TW-W0045-10	D-4	4JT-13610-00	B-8	4MX-14943-43	B-10	4JT-16380-20	C-2	4JT-21118-00	C-7		C-13
4TW-W0046-00	D-7	3XV-13613-01	B-8	4MX-14943-44	B-10	1HX-16383-00	B-15	4JT-2117A-10	C-7	4JT-23118-40	C-12
3LC-W0047-50	D-7	4JT-13614-00	B-8	4MX-14943-45	B-10	4JT-16384-00	C-2	4JT-2117G-00	C-7		C-13
4TW-W0047-00	D-4	4JT-13616-00	B-8	4MX-14943-46	B-10	4JT-17121-00	C-3	4JT-21190-21	C-7	4JT-23120-40	C-12
4TW-W0047-10	D-4	4JT-13621-00	B-8	4MX-14943-47	B-10	4JT-17121-10	C-3	4A0-21485-00	B-12	1WG-23128-00	C-12
1UY-W0048-50	D-4	4JT-1410H-00	B-11	4MX-14943-48	B-10	4JT-17121-30	C-3	4JT-21495-00	C-7		C-13
	D-7	4JT-14101-60	B-9	4MX-14943-49	B-10	4JT-17131-00	C-3	4JT-21495-10	C-7	4JT-23136-30	C-12
4DP-W0057-00	D-7	4SR-14105-00	B-9	4MX-14943-50	B-10	4JT-17131-10	C-3	4JT-21510-10	D-3	4JT-23141-10	C-12
4TW-W0057-00	D-4	4MX-14115-00	B-9	4MX-14943-51	B-10	4JT-17131-30	C-3	4JT-21552-00	C-11	4TW-23142-10	C-12
4TW-W0057-10	D-4	4SR-14126-00	B-9	4MX-14943-90	B-10	4JT-17151-10	C-3	4JT-21629-11	C-7		C-13
4JT-W2587-10	D-9	4MX-14131-00	B-9	4MX-14943-91	B-10	4JT-17151-20	C-3	4JT-21642-20	C-7	4ES-23145-00	C-12
4JT-11111-30	B-2	3TJ-14137-40	B-10	4MX-14943-92	B-10	4JT-17161-11	C-3	583-21747-00	C-14	5K5-23149-00	C-12
4JT-11311-30	B-2	4JT-14146-00	B-11	4MX-14943-93	B-10	4JT-17161-30	C-3	3YL-21751-00	C-7	4A1-23156-00	C-12
4JT-11351-02	B-2	4JT-14147-00	B-11	4MX-14943-94	B-10	4JT-17211-00	C-3	4JT-22110-40	C-9	2K8-23158-LO	C-12
4JT-11351-12	B-2	4JT-14157-10	B-11	4MX-14943-95	B-10	4JT-17211-10	C-3	156-22127-00	C-9	4JT-23170-30	C-12
4JT-11351-22	B-2	663-14159-00	B-9	4MX-14943-96	B-10	4JT-17221-00	C-4	4EW-22129-00	C-9	3LC-23181-00	C-12
4JT-11400-30	B-3	4JT-14161-00	B-10	4MX-14943-97	B-10	4JT-17221-10	C-4	1LX-22141-00	C-9	4V4-23188-LO	C-12
4JT-11410-30	B-3	4JT-14171-00	B-9	4MX-14948-04	B-9	4JT-17221-30	C-4	4JT-22151-00	C-9		C-13
4JT-11420-30	B-3	4MX-14194-00	B-10	4SR-14948-02	B-9	4JT-17231-00	C-3	4TW-22151-00	C-7	4JT-23340-30	C-13
4JT-11445-00	B-3	4JT-14197-00	B-9	4SR-14948-03	B-9	4JT-17231-10	C-3	4JT-2216F-10	C-9	4JT-23357-20	C-12
4JT-11454-00	B-4	4JT-14251-00	B-10	4JT-14984-00	B-9	4JT-17231-30	C-3	4JT-2217A-10	C-9	1J7-23415-00	C-11
4JT-11455-00	B-4	4JT-14261-00	B-9	4SR-14985-00	B-9	4JT-17241-00	C-3	4JT-2217F-10	C-9	4JT-23435-30	C-13
4JT-11531-00	B-4	4JT-14283-00	B-11	4JT-15100-10	B-13	4JT-17241-10	C-4	4JT-22184-00	C-9	4JT-23490-11	C-11
4JT-11536-00	B-3	4JT-14340-70	B-9	3R3-15128-01	B-13	4JT-17241-30	C-3	4JT-22187-00	C-9	4JT-23495-00	C-11
4JT-11611-00	B-3	4MX-14392-00	B-9	4JT-15131-01	B-13	4JT-17251-10	C-3	4JT-22210-73	C-10	5KE-2411B-00	C-14
4JT-11631-30-A0	B-3	676-14548-00	B-10	4A0-15363-00	B-13	4JT-17251-30	C-3	23X-22211-00	C-10	4JT-2411M-00	C-14
4JT-11631-30-B0	B-3	4MX-14561-00	B-9	4JT-15381-01	C-4	4JT-17261-11	C-4	4DP-22211-00	C-10	4JT-2411R-00	C-15
4JT-11631-30-C0	B-3	4JT-14610-C0	B-12	2K7-15383-00	B-4	4JT-17261-30	C-4	4JT-22212-41	C-10	4JT-24110-10-36	C-14
4XM-11633-00	B-3	4JT-14610-D0	B-12	4JT-15383-00	C-3	4JT-17411-00	C-3	22W-22214-01	C-10	3LC-24182-00	C-14
4JT-11651-10	B-3	4JT-1469A-00	B-12	4JT-15411-00	B-13	4JT-17421-00	C-3	1RK-22215-00	C-10	4JT-24182-00	C-14
4JT-11681-10	B-3	4JT-14753-20	B-12	4JT-15421-02	B-13	4JT-18101-01	C-5	4JT-22219-00	C-10	47X-24182-00	C-14
3YL-12232-00	B-6	4DP-14755-00	B-12	4JT-15451-10	B-13	4JT-18110-20	C-6	4JT-22219-10	C-10	4JT-24311-10	C-14
4JT-12422-00	B-5	4JT-14916-VH	B-9	4JT-15461-00	B-13	4JT-18112-10	C-6	1KH-22223-00	C-10	4JT-24318-00	C-14
4JT-12428-00	B-5	4JT-14916-VJ	B-9	4JT-16111-01	B-3	4A0-18113-00	C-6	4JT-22239-00	C-10	3PA-24356-00	D-9
4JT-12450-00	B-5	4JT-14916-VK	B-9	4JT-16151-01	B-15		D-10	1RK-22251-00	C-10	3XJ-24380-00	C-14
4JT-12461-10	B-6	4JT-14916-VW	B-9	4JT-16154-00	B-15	4JT-18115-10	C-6		C-11	4JT-24500-00	C-14
22W-12462-00	B-6	4JT-14916-WH	B-9	4JT-16181-01	B-15	5F7-18116-00	C-6	3AK-22252-00	C-10	4X8-24512-00	C-14
4JT-12469-01	B-13	4JT-14916-WJ	B-9	4JT-16184-00	B-15	3TC-18117-00	C-6	3YL-22253-00	C-10	3AJ-24523-00	C-14
4JT-12482-00	B-6	4JT-14916-WK	B-9	4JT-18140-01	B-15	4JT-18140-11	C-5	4JT-22253-41	C-10	3AJ-24534-00	C-14
4JT-12483-00	B-6	4JT-14916-WVW	B-9	4JT-16321-00	B-15	4JT-18511-00	C-5	4AA-22259-00	C-10	4JT-24611-00	C-14
4JT-12484-00	B-6	4MX-14919-00	B-9	257-16324-00	B-15	4JT-18512-00	C-5	4AA-22259-40	C-10	4JT-24612-00	C-14
4JT-13161-00	B-7	4JT-1494F-03	B-11	4JT-16331-00	B-15	4JT-18513-01	C-5	4AA-22259-50	C-10	4JT-24710-40	D-2
4JT-13300-01	B-7	4JT-1494F-07	B-11	4JT-16331-10	B-15	4JT-18531-00	C-5	4DP-22489-00	C-10	4JT-24713-20	D-2
4JT-13325-00	B-7	4JT-1494F-11	B-11	37F-16351-00	B-15	4JT-18535-00	C-5	3AK-22493-00	C-10	4JT-24763-00	D-2
22F-13329-01	B-7	4MX-14943-39	B-10	4JT-16356-00	B-15	4JT-18540-10	C-5	4JT-23102-40	C-12	4JT-25117-00	D-3
3XV-13411-00	B-7	4MX-14943-40	B-10	5HO-16357-00	C-2	4JT-18562-00	C-5	4JT-23103-40	C-12	4JT-25168-01-UA	D-3

PARTNO.	GRID NO.	PARTNO.	GRID NO.	PARTNO.	GRID NO.	PARTNO.	GRID NO.	PARTNO.	GRID NO.	PARTNO.	GRID NO.
4JT-25181-00	D-3	2VN-25894-00	D-10	5KE-83591-00	D-14	90185-08097	B-12	90430-06166	C-7	91317-06045	B-13
4JT-25183-00	D-3	3FV-25894-00	D-9	5KE-83611-00	D-14	90430-12202	D-5	90430-12202	B-13	91317-06060	B-13
5Y9-25316-00	D-3	4JT-25895-10	D-11	214-83912-00	D-15	90185-16127	C-9	90445-09078	B-6	91317-10016	C-10
	D-5	3FV-25919-00	D-4	4JT-83922-00	D-9	90185-18104	D-5	90445-092J9	B-13	91401-16012	D-7
4JT-25317-00	D-5	5KE-25919-50	D-7	3LC-83976-00	D-15	90201-06571	B-6	90450-28073	B-6	91401-25025	D-12
4JT-25338-01-UA	D-5	3FV-25924-00	D-4	4JT-85501-60	D-13	90201-070J2	B-7	90450-52058	B-8	91701-08038	C-11
4JT-25360-10	D-5	4JT-25924-00	D-7	90101-10709	C-10	90201-08455	C-11	90460-20190	B-6	92017-06020	D-10
3YL-25364-00	D-5	4JT-26112-00	D-8		C-9	90201-087F0	C-6	90464-12089	C-7	92017-08020	C-7
4JT-25376-00	D-5	4JT-26223-10	D-8	90105-063A0	B-2	90201-10118	D-10		C-9		D-10
4DP-25379-00	D-5	4JT-26224-10	D-8	90105-08729	B-13		D-9	90464-15152	C-14		D-7
4JT-25381-00	D-5	47X-26241-00	D-8	90105-10183	C-7	90201-10144	B-3	90464-15195	E-2	92017-08025	C-11
4JT-25388-00	D-5	47X-26242-00	D-8	90105-10445	B-3	90201-114P2	B-5	90464-25160	C-7		C-7
4JT-25389-00	D-5	3YL-26243-00	D-8	90105-105A7	D-4	90201-114P4	B-5		D-12		D-10
29L-25398-00	D-3	4JT-26246-00	D-8	90105-10726	C-7	90201-126A7	B-7	90464-26114	D-8	92901-04600	D-10
	D-5	3Y1-26249-00	D-8	90109-063F7	C-5	90201-127E1	D-13	90464-62085	E-2	92902-04100	D-10
29L-25398-10	D-3	3YL-26281-01	D-8	90109-065F8	B-13	90201-127J6	C-10	90465-13152	C-14	92907-03100	B-8
	D-5	3YL-26282-00	D-8		D-8	90201-14212	D-10		D-9	92907-04200	D-12
29L-25398-20	D-3	4JT-26311-01	D-8	90109-065G4	D-11	90201-17550	B-15	90465-13275	C-7	92907-05100	D-15
	D-5	4JT-26335-00	D-8	90109-067E6	B-13	90201-177G4	C-4		D-14	92907-06200	B-15
4JT-25435-20	D-5	5F6-26368-00	D-15		C-7	90201-18262	D-5		D-8	92907-06600	B-12
4JT-25436-20	D-5	5KE-27211-00	D-10	90109-06799	D-15	90201-225A4	C-11		D-9		D-10
4JT-25437-20	D-5	3YL-27222-00	D-10	90109-087F6	C-6	90201-537R1	D-5		E-2	92907-16200	C-9
4JT-25438-20	D-5	4JT-27411-20	D-10	90109-08718	D-4	90202-05193	C-14	90467-09006	C-14	92990-14600	D-3
4JT-25439-20	D-5	4JT-27412-20	D-10	90110-05227	C-5	90209-18208	C-3	90467-10008	C-14	93101-45091	C-2
4TW-2580U-10	D-4	4JT-27445-00	D-11	90110-06136	B-13		C-4	90467-11044	D-11	93102-12224	C-2
4TW-2580W-01	D-7	4TW-27445-00	D-11	90110-08193	D-7	90209-22071	B-3	90467-14057	D-11	93102-25142	B-3
4JT-2581T-00	D-4	4JT-28321-00	D-12	90113-08056	B-14	90209-23241	C-4	90468-16099	C-11	93102-26042	B-15
4JT-25819-00	D-7	4DP-28334-00	D-12	90116-08409	B-2	90215-14204	B-15	90480-13197	D-2		C-4
2VN-2582A-50	D-9	5KE-28345-00	D-12	90119-05001	B-15		B-4	90480-14153	C-10	93103-12119	B-5
36Y-2582A-50	D-10	4JT-28350-24	D-12	90119-05239	C-7	90215-20261	C-4	90480-15363	B-6	93103-32183	B-3
3YL-2582F-00	D-9	4JT-28356-11	D-12	90123-06007	D-8	90267-48147	B-12	90480-18418	C-14	93109-12012	C-5
4TW-2582W-00	D-7	3YL-28358-00	D-12	90149-06008	C-14	90269-05049	C-7	90501-20361	B-15	93210-06001	B-7
3YL-2583V-00	D-10	4JT-2836A-00	D-12	90149-06184	D-13		C-8	90507-20061	B-12	93210-14515	B-14
3FV-25852-00	D-9	4JT-28362-00	D-12	90149-06286	B-13	90280-04001	B-3	90508-145A5	C-2	93210-15620	D-10
3XP-25852-50	D-11	4A0-28364-00	D-12	90150-06021	D-12	90338-06041	B-13	90508-235A8	C-5		D-9
2VN-25854-00	D-11	4JT-28381-20	D-12	90150-06036	D-2		C-7	90508-290A8	C-5	93210-17239	B-15
3FV-25854-00	D-9	1JK-81960-A1	E-2	90151-06056	B-4	90340-12144	B-13	90560-12280	C-5	93210-21190	B-13
2J2-25855-50	D-9	3TC-81965-00	E-2		C-3	90387-063E6	B-6	91A20-05020	C-14	93210-34504	B-15
2VN-25855-00	D-11	1KT-82122-00	D-2		C-4	90387-066N1	B-6	91311-08030	C-13	93210-42728	B-12
2VN-25866-00	D-9	4DP-82310-00	D-13	90154-05064	D-11	90387-0803Y	B-12	91311-10030	C-13	93210-48364	B-15
56A-25867-00	D-9	4PE-82370-10	D-13	90155-06007	B-7	90387-083J8	C-14	91317-05020	D-8	93210-63442	B-2
4DP-25873-01	D-9	4JT-82590-10	E-2	90170-06228	C-6	90387-124Y8	C-9	91317-06010	C-2	93210-88696	B-2
4JT-25874-10	D-10	5F6-82911-00	D-15	90170-14171	B-15	90387-204Y5	C-4	91317-06020	B-8	93306-00444	D-3
3XV-25876-00	D-10	4V4-82913-00	D-15		B-4	90401-10159	D-10	91317-06025	C-11		D-5
3LC-25885-00	D-10	4A0-83522-00	D-14	90179-10696	C-7		D-9		D-8	93306-07205	D-5
	D-9	5KE-83540-00	D-14	90179-12248	D-13	90430-06166	B-13	91317-06030	B-13	93306-20336	C-3
3FV-2589A-00	D-9	4A0-83541-00	D-14	90179-16226	C-4		B-2	91317-06035	B-5		C-4
3FV-2589F-00	D-9	4JT-83553-00	D-14	90179-25615	C-11		B-5	91317-06040	C-9	93306-20401	C-3

PARTNO.	GRID NO.	PARTNO.	GRID NO.	PARTNO.	GRID NO.	PARTNO.	GRID NO.	PARTNO.	GRID NO.
93306-30318	B- 4	95027-06030	B - 6						
93306-30401	C- 4		D - 12						
93306-30570	B- 3	95304-06700	C - 6						
93306-90105	B- 5	95307-06600	B - 15						
93310-225N0	B- 15		D - 10						
93310-315S4	B- 3	95606-06100	D - 9						
93310-422B0	B- 3	95607-04100	D - 12						
93311-62574	B- 4	95607-06100	C - 6						
93315-11206	C- 2		D - 10						
93317-32231	C- 9		D - 15						
93320-21507	C- 9	95607-10200	C - 10						
93332-00001	C- 11		C - 7						
93332-00079	C- 11		C - 9						
93342-22215	C- 9	95617-06100	D - 12						
93399-999T4	C- 10	95617-14100	D - 3						
93410-17037	C- 4	95707-08500	B - 2						
93410-22039	C- 3	95817-08040	B - 12						
		97007-05020	D - 15						
93410-26067	C- 4	97007-06020	D - 10						
93440-30113	C- 10	97017-06020	C - 6						
93450-16068	B- 3	97027-06020	B - 12						
93505-16006	B- 15	97707-50012	C - 9						
93602-12247	B- 7	97780-40110	D - 14						
93603-07073	B- 7	97801-03008	C - 14						
93604-08071	B- 2	98502-04012	B - 10						
93604-10011	B- 5	98502-04014	B - 9						
93605-20204	C- 10	98507-03006	B - 8						
938AA-16198	C- 4	98507-05008	D - 15						
938AA-17196	C- 4	98507-06020	E - 2						
938AA-18199	C- 4	98511-04012	D - 10						
93900-00031	D- 3	98580-04006	B - 11						
	D- 5	98907-04010	D - 12						
94109-17008	D- 3	98907-06010	C - 11						
94112-1716H	D- 5	99009-11400	B - 5						
94571-44118	D- 6	99009-12400	B - 7						
94571-44120	D- 6	99009-37500	B - 4						
94671-44011	D- 6	99237-00080	D - 2						
94702-00373	B- 2	99237-00100	D - 12						
94709-00373	B- 2	99237-00280	D - 12						
95026-06025	D- 9	99510-10114	B - 2						
95027-06014	D- 12	99530-10114	B - 13						
	D- 3	99590-14016	B - 13						
	D- 9								
95027-06016	C- 7								
	C- 9								
	D- 10								
95027-06020	D- 13								
95027-06025	B- 6								

再生紙を使用しています



ヤマハ発動機株式会社
〒438-8501 静岡県磐田市新貝2500
サービス情報室

374055